

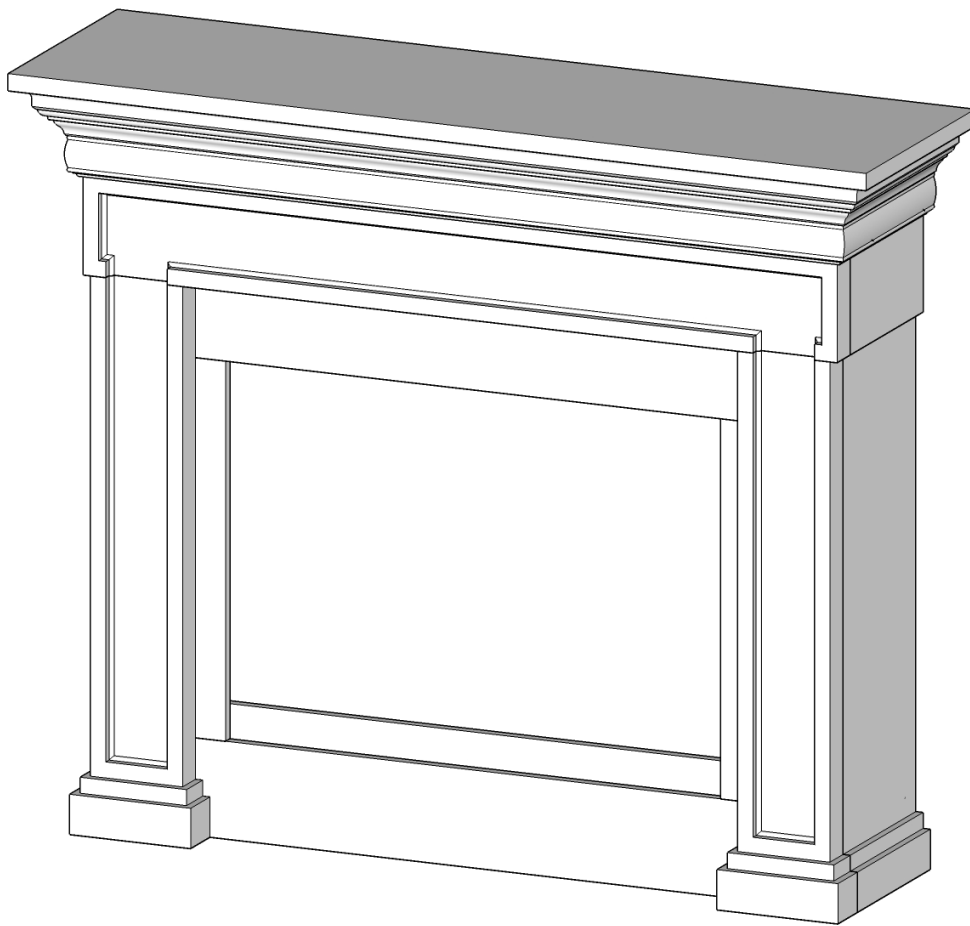


LOT# _____

PO# _____



realflame[®]
fireplaces

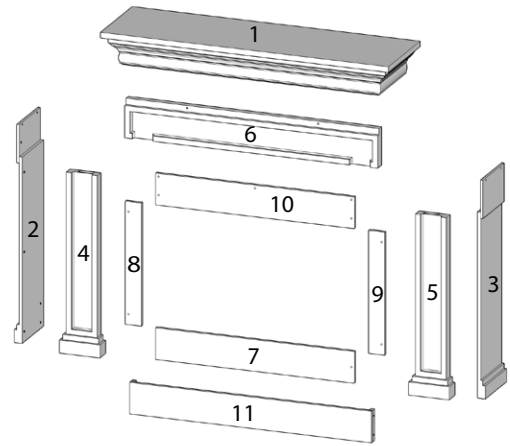
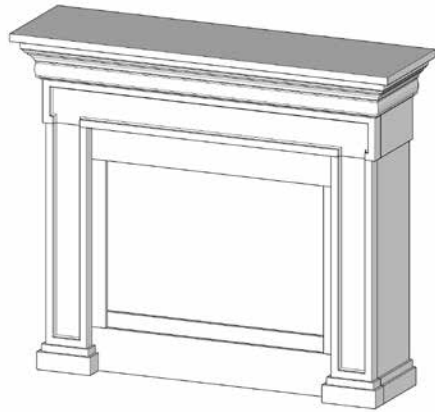


Mantel Assembly Instructions

Model #6720E
Emerson Fireplace


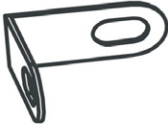



English • Français • Español

Parts List - Liste de Pièces - Lista de Piezas



No. Nu./Nú.	Description Description/Descripción	English Oak Chêne Anglais/ Roble Ingles	Rustic White Blanc rustique/ Blanco rústico	Qty Cdt./ Cantidad
1	Top Panel Panneau supérieur/Panel superior	67200601	67208201	1
2	Left Side Panel Panneau latéral gauche/Panel lateral izquierdo	67200602	67208202	1
3	Right Side Panel Panneau latéral droit/Panel lateral derecho	67200603	67208203	1
4	Left Front Panel Panneau avant gauche/Panel delantero izquierdo	67200604	67208204	1
5	Right Front Panel Panneau avant droit/Panel delantero derecho	67200605	67208205	1
6	Center Panel Panneau central/Panel central	67200606	67208206	1
7	Lower Firebox Trim Moulure inférieure/Reborde decorativo inferior del hogar	67200007	67200007	1
8	Left Firebox Trim Moulure gauche/Reborde decorativo izquierdo del hogar	67200008	67200008	1
9	Right Firebox Trim Moulure droite/Reborde decorativo derecho del hogar	67200009	67200009	1
10	Upper Firebox Trim Moulure supérieure/Reborde decorativo superior del hogar	67200010	67200010	1
11	Firebox Support Support pour le foyer/Soporte del hogar	67200011	67200011	1
12	Hardware Kit Ensemble de quincaillerie/Kit de hardware	67200012	67200012	1
13	Anti-Topple Device Dispositif Anti-Renversement/ Dispositivo Anti-Derrocac	10032	10032	1

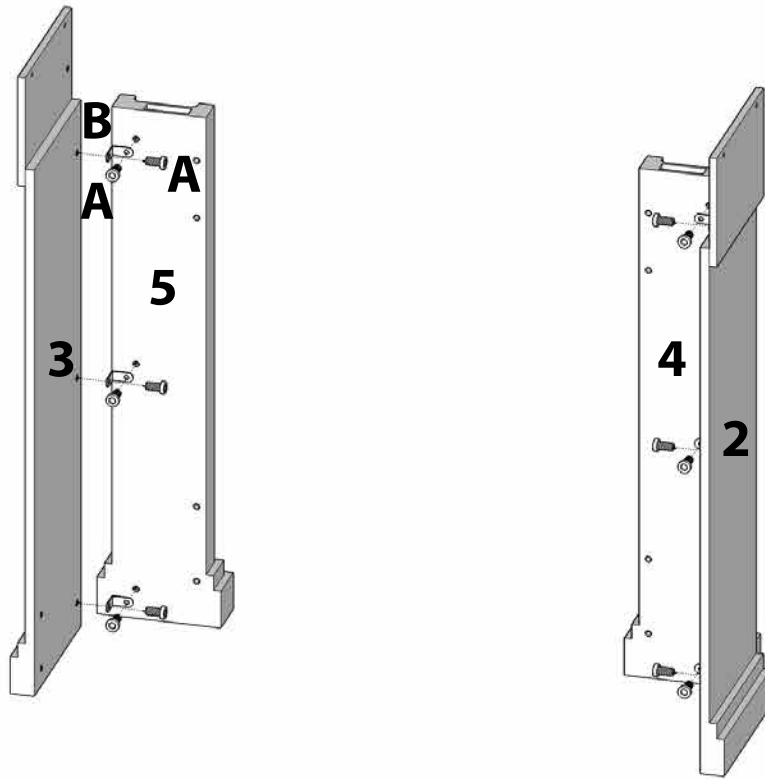
Hardware Kit- 67200012
Quincaillerie/ Kit de Hardware

<p>A Short Allen Screw Vis allen courte/ Tornillo allen cort</p> <p>16x</p> 	<p>B L-Bracket Ferrure en L/ Soporte de L</p> <p>8x</p> 	<p>C Long Allen Screw Longue vis allen/ Tornillo allen largo</p> <p>21x</p> 
<p>D Washer Rondelle/ Arandela</p> <p>21x</p> 	<p>E Allen Wrench Clé Allen/ Llave Allen</p> <p>1x</p> 	

1

A
12x 

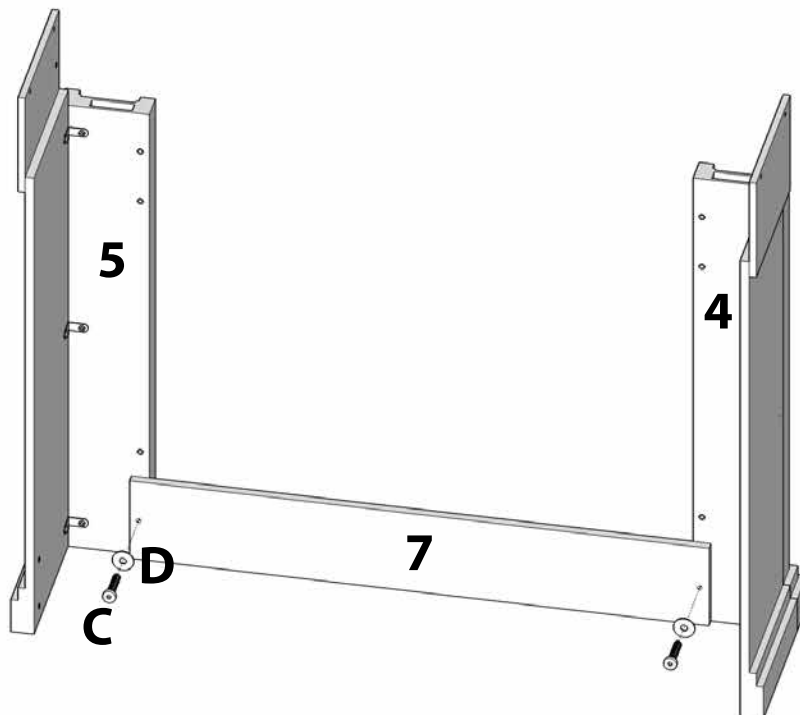
B
6x 



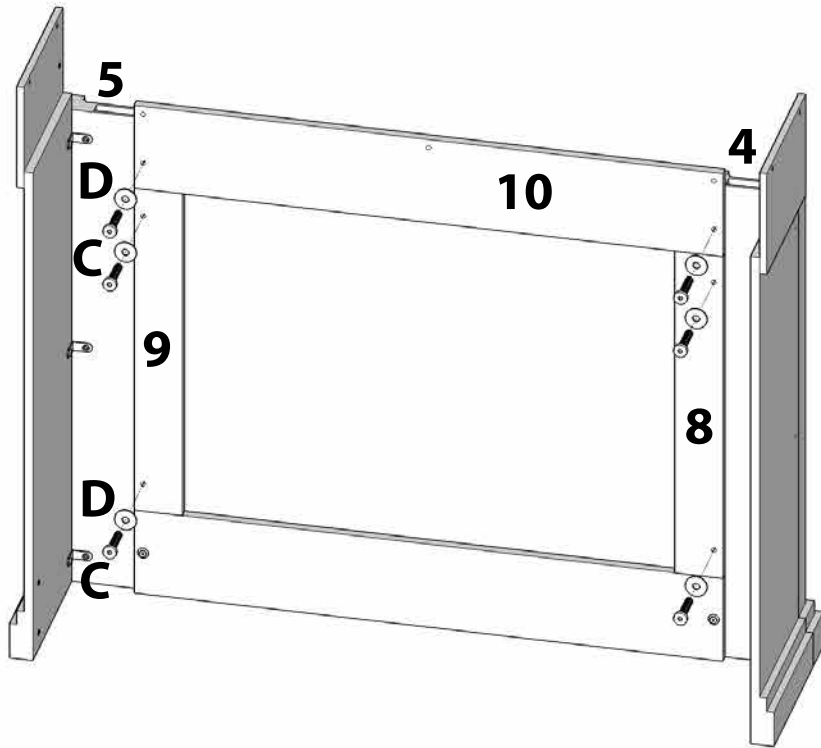
2

C
2x 

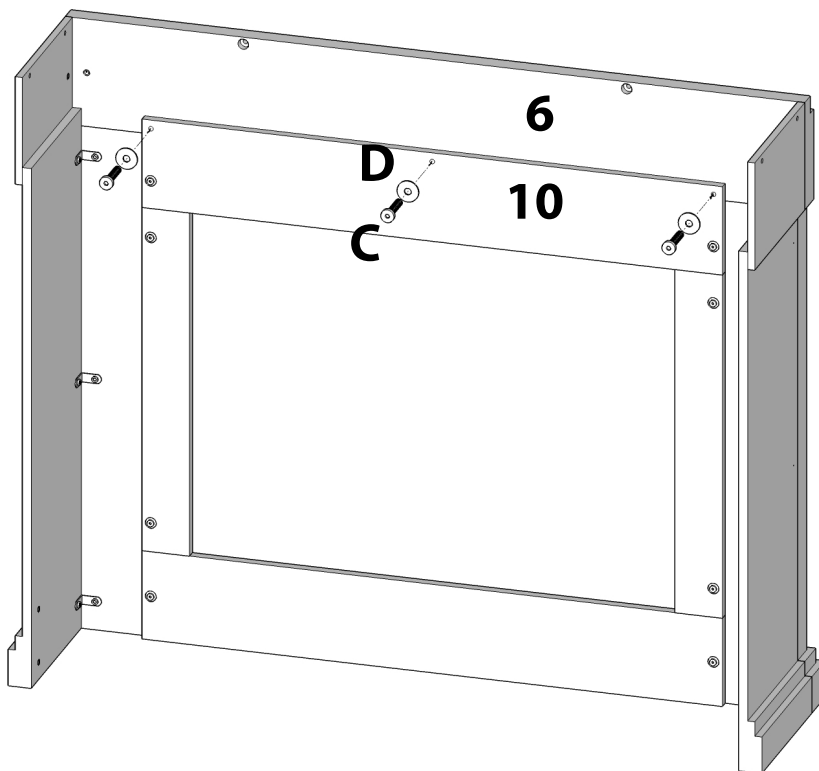
D
2x 



3



4



5

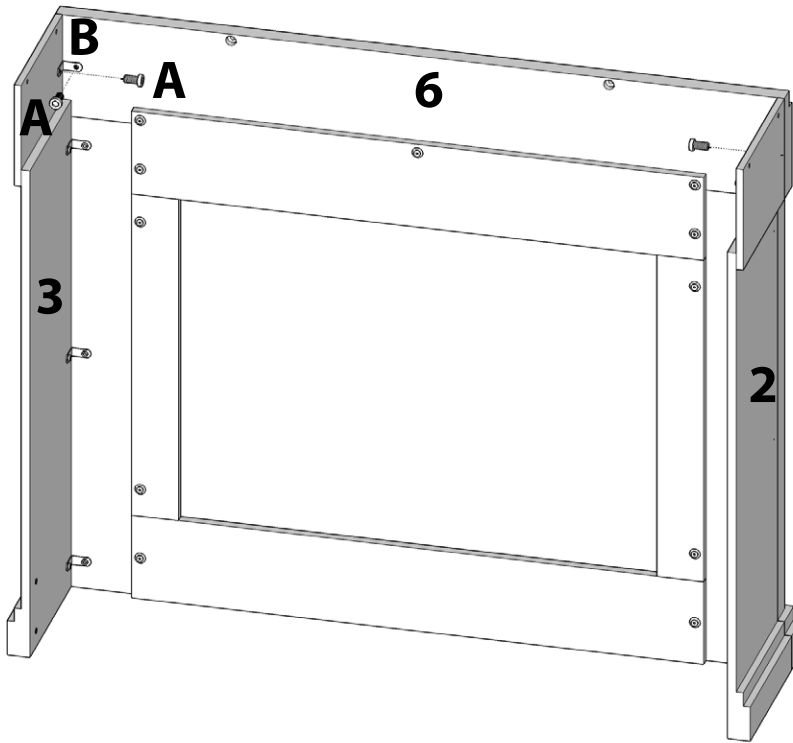
A

4x



B

2x



6

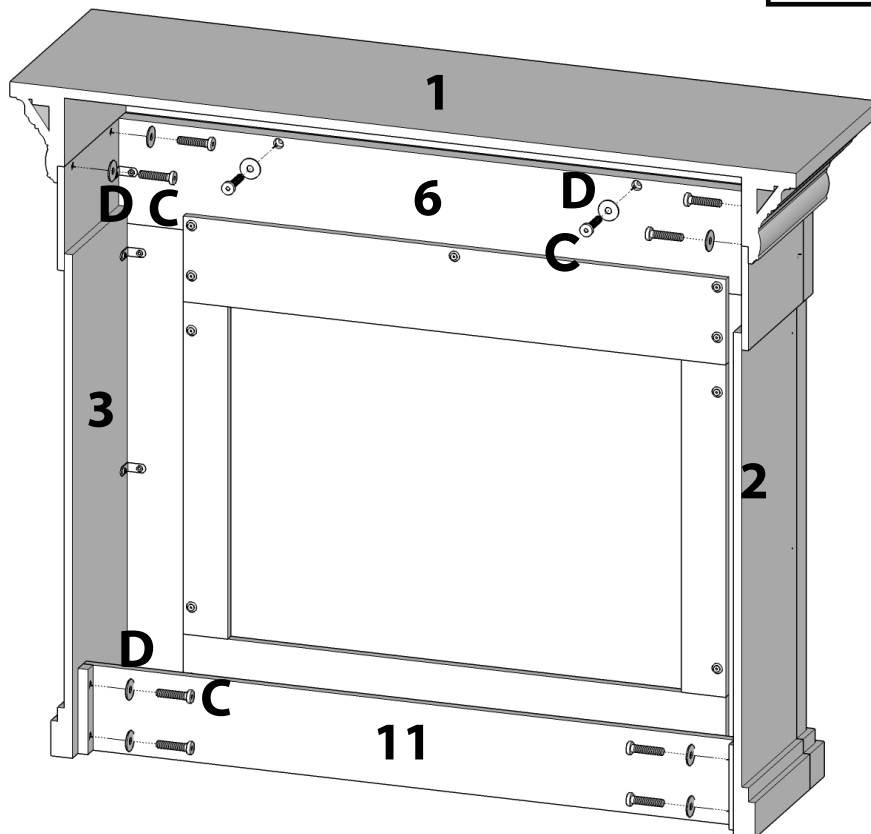
C

10x



D

10x



Installing the 5099 Electric Firebox

Installation Foyer Électrique 5099/ Instalación del Hogar Eléctrico 5099

Step One

Figure 1

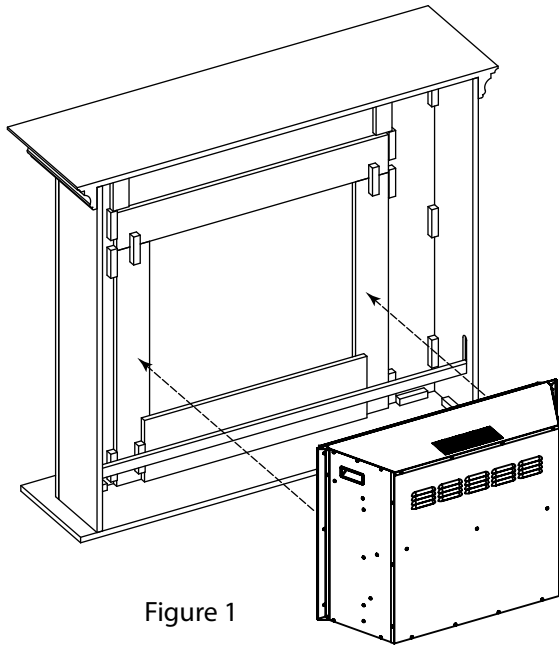


Figure 1

From the rear of the mantel insert the firebox into the opening.

Note: Your mantel may vary slightly from the one depicted in this illustration.

Par l'arrière du manteau de cheminée, insérer la chambre de combustion dans l'ouverture.

Note: Votre manteau de la cheminée peut varier légèrement de celui représenté sur cette illustration.

Inserte el hogar desde la parte posterior del marco para el hogar.

Nota: Su marco para hogar puede variar levemente del que se ve en las ilustraciones.

Step Two

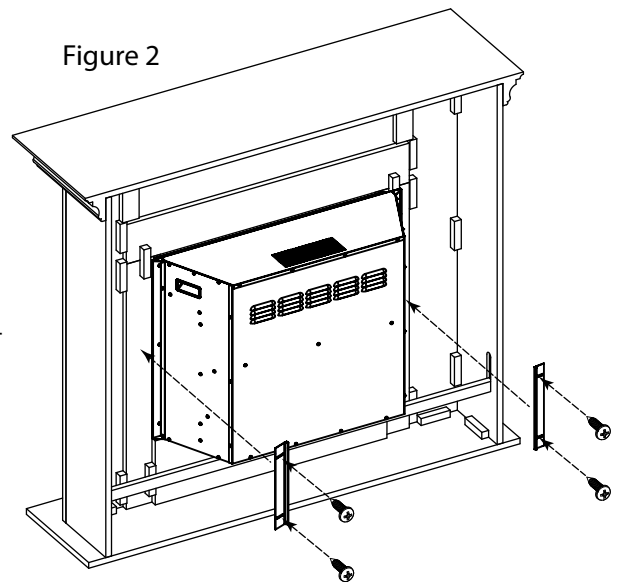
Figure 2

Attach the firebox to the back of the mantel with the 2 support plates and 4 wood screws.

Fixer la chambre de combustion au dos du manteau de cheminée avec les deux plaques de support et les 4 vis à bois fournies avec l'ensemble.

Sujete el hogar a la parte posterior del marco con las dos placas de soporte y los cuatro tornillos para madera.

Figure 2



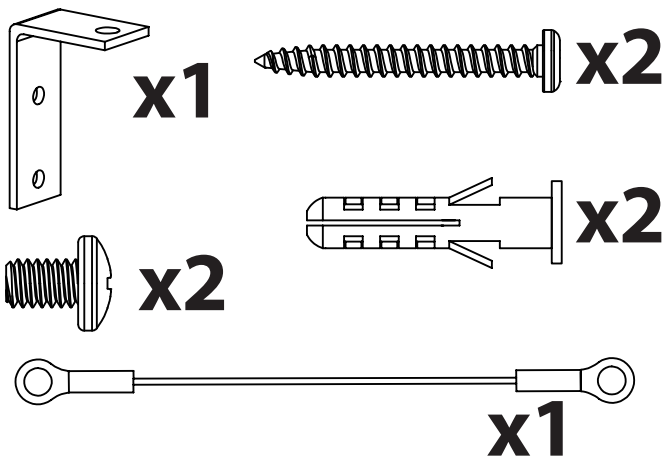
Anti-Topple Device Installation

CAUTION

This product is not a substitute for parental supervision. Real Flame® assumes no responsibility or liability for improper installation or excessive loads placed on any of the supplied components.

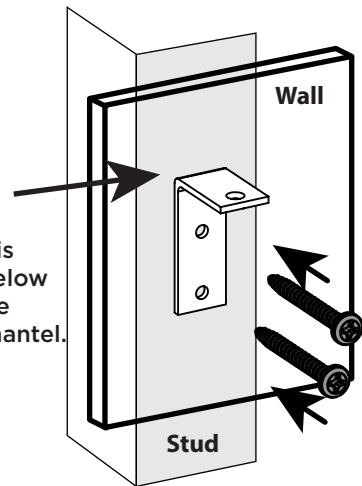
Follow all instructions included with your Real Flame® mantel and firebox.

Parts List - 10032



1.

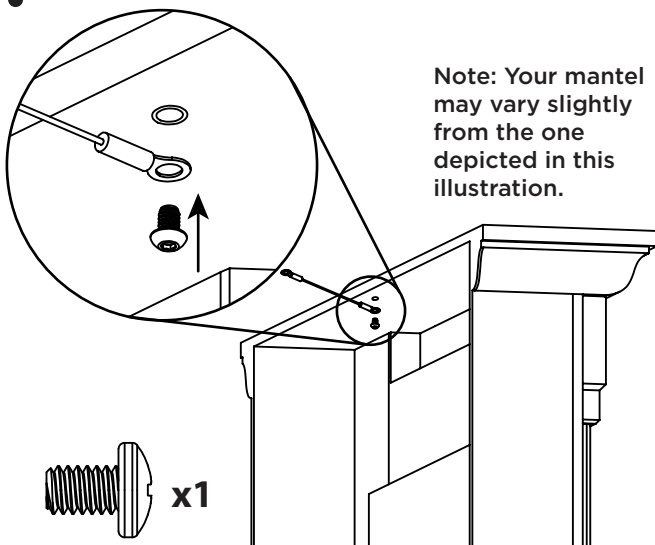
Note: Locate the top of this bracket 3" below the top of the assembled mantel.



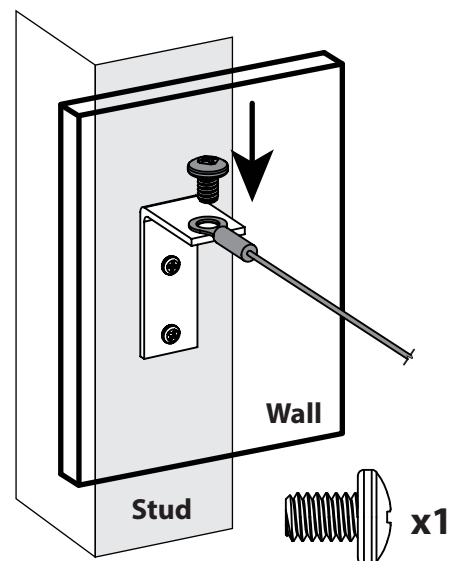
NOTE

If a stud is not accessible, use the included drywall anchors to secure the wall bracket.

2.



3.



Real Flame® Customer Service: 1-800-654-1704

Anti-Topple Device Installation

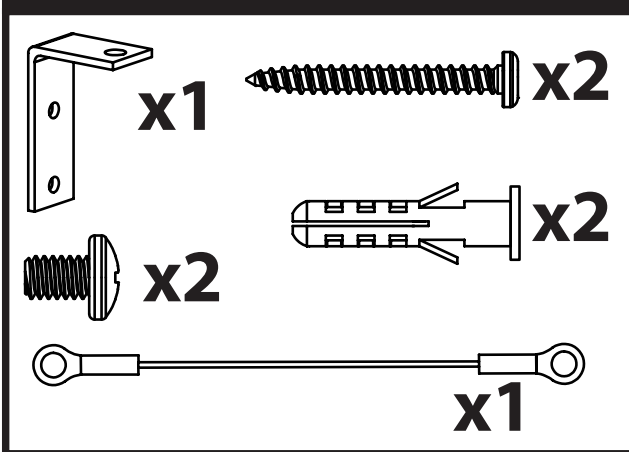


CAUTION

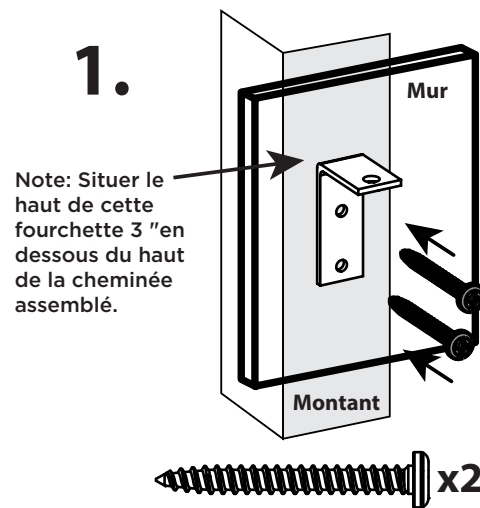
Ce produit n'est pas un substitut à la supervision parentale. Real Flame® n'assume aucune responsabilité quant à une mauvaise installation ou charges excessives sur l'un des composants fournis.

Lire complètement l'étiquette et toutes les instructions du produits Real Flame®.

Liste de Pièces - 10032



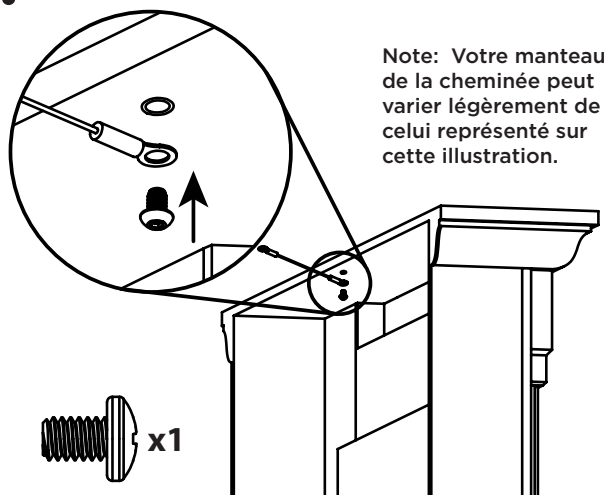
1.



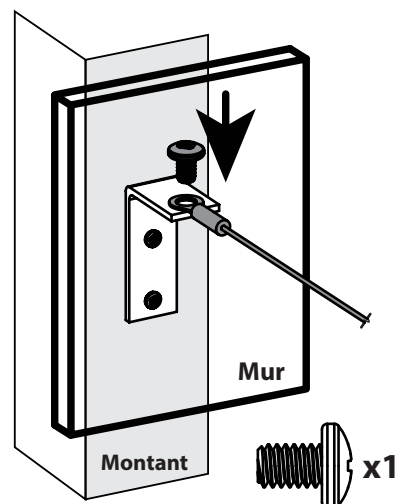
NOTE

Si un montant n'est pas accessible, utiliser les ancrages pour cloisons sèches fournis pour fixer le support mural.

2.



3.



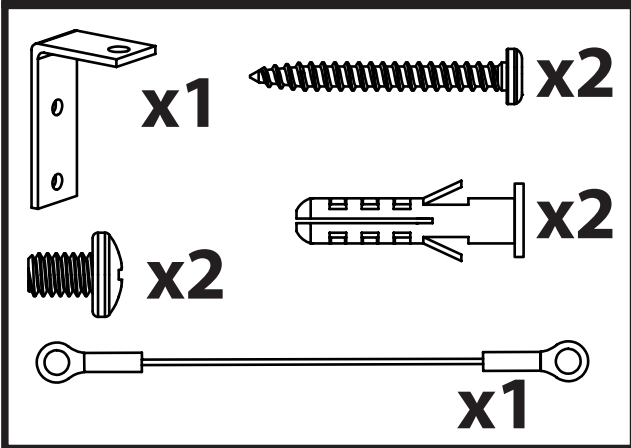
Dispositivo Anti-Derrocar Instalación

⚠ PRECAUCIÓN

Este producto no es un sustituto de la supervisión de los padres. Real Flame® no asume ninguna responsabilidad por la instalación inadecuada o cargas excesivas impuestas a cualquiera de los componentes suministrados.

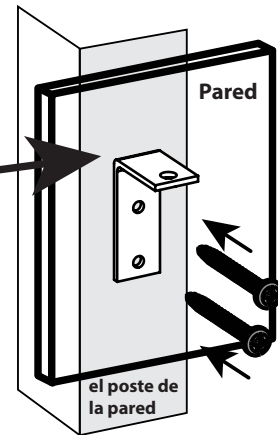
Siga todas las instrucciones que vienen con su chimenea Real Flame® y cámara de combustión.

Lista de Piezas - 10032



1.

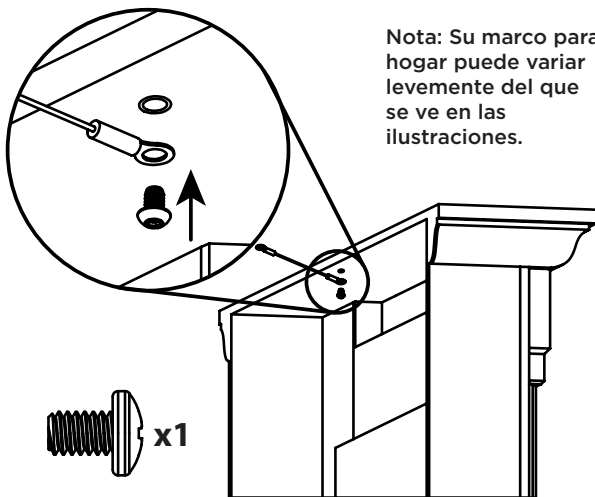
Nota: Ubique la parte superior de el soporte 3 "por debajo de la parte superior de la chimenea montada.



⚠ NOTA

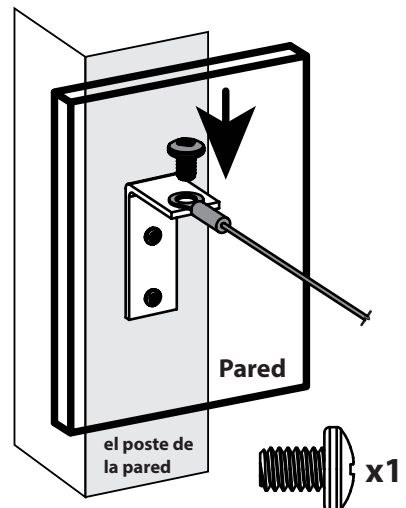
Si el poste de la pared no es accesible, utilizar las anclas incluidas para asegurar el soporte de pared.

2.



Nota: Su marco para hogar puede variar levemente del que se ve en las ilustraciones.

3.



Servicio al Cliente Real Flame®: 1-800-654-1704

WARRANTY

Limited Warranty

Real Flame® warrants that the following components of this Real Flame® fireplace ("the Product") will be free from manufacturing defects in material and workmanship after correct assembly and under normal use and proper maintenance for the periods indicated below, commencing with the date of purchase of the Product:

- The body - 1 year limited warranty.

This warranty extends to the original purchaser only, provided that the purchase was made through an authorized Real Flame dealer. The warranty is also subject to the following conditions and limitations:

This warranty does not extend to damages caused by shipping, improper assembly, installation or storage, installation that does not comply with building codes and ordinances, installation or operation not in accordance with the included manual, abuse, lack of maintenance, hostile environments, accident, natural weather, or unworkmanlike repairs. Modification of the Product, use of fuels other than what is approved by Real Flame, or use of parts installed from other manufactures will nullify this warranty.

This warranty applies to the functionality of the Product only and does not cover cosmetic issues such as scratches, dents, rust, oxidation, corrosion, or discoloring caused by heat, abrasive cleaners and chemical cleaners. However, should deterioration of parts occur to the degree of non-performance within the duration of the warranty period, Real Flame will provide a replacement part.

Real Flame requires reasonable proof of your date of purchase. Therefore, you should retain your sales receipt and/or invoice. Defective parts subject to this warranty will not be replaced without proof of purchase.

Real Flame must have the opportunity to verify the alleged defect. In order for any internal components to be covered under warranty, Real Flame requires the user to troubleshoot with a Real Flame Customer Service member to ensure proper operation and diagnosis of issue.

In the event of covered defects in warranted items, Real Flame will, at its sole option and discretion, replace the defective component, replace the Product or refund the purchase price. Real Flame is not responsible for the installation, labor or any other costs associated with the reinstallation. The foregoing is the exclusive remedy under the terms of this limited warranty. Real Flame will not be responsible for any incidental or consequential damages caused by defects in the Product. Some states do not allow the exclusion or limitation of incidental or consequential damages, so the above limitation or exclusion may not apply to you.

This limited warranty is the sole express warranty given by Real Flame. The duration of any implied warranty arising under the laws of any state, including implied warranty of merchantability or fitness for a particular purpose or use, is limited to the duration of the warranty specified above. Some states do not allow limitations on how long an implied warranty lasts, so this limitation may not apply to you.

This warranty gives you specific legal rights, and you may also have other rights which vary from State to State.

For warranty service:

1. Call Real Flame Customer Service at 1-800-654-1704 for technical support and troubleshooting.
2. If experiencing issues with finish, please fill out the 'Outdoor Warranty Claim' form at www.realflame.com.

RETURN POLICY

Return Policy

You may return your purchase within 90 days of receipt. No refunds will be issued for incomplete or unauthorized returns. All returned products must be 100% complete, adequately packaged in original packaging and in resalable condition. Products that have been assembled or modified will not be eligible for return. All items must be returned in their entirety, meaning all items included must be returned together. No returns or exchanges on discontinued items. Please begin the return process by contacting the store or company where you bought your Real Flame® item.

Replacement Parts

In the event that an item has been lost or damaged, either by the manufacturer or in shipping, you may request a replacement. Replacement parts are not available for all units and only given at Real Flame's discretion. We will assess any damage and find a solution, which could include shipping you a replacement. No replacements are available for discontinued items or repackaged (open box) products. Please call Real Flame Customer Service at 1-800-654-1704 for replacement parts before returning the damaged item. Please have the following information (which can be found in your instruction manual) ready before you call Customer Service:

- Model number of item
- 4-8 digit part number
- Lot code number
- Shipping address
- A picture of the damaged item may be requested. Pictures should be sent to custserv@realflame.com.

Incorrect Order Received

If you received something other than what you ordered, please contact Real Flame Customer Service at 1-800-654-1704 within 48 hours of receiving the item.

Refer to www.realflame.com for our complete return guidelines and policies.

Please register your fireplace for recall notifications, proof of ownership and quality assurance at <https://www.realflame.com/registration>.

Real Flame®
7800 Northwestern Ave.
Racine, WI 53406
USA

Customer Service: 1-800-654-1704 in USA
Service à la clientèle: 1-800-363-6443 in Canada
custserv@realflame.com