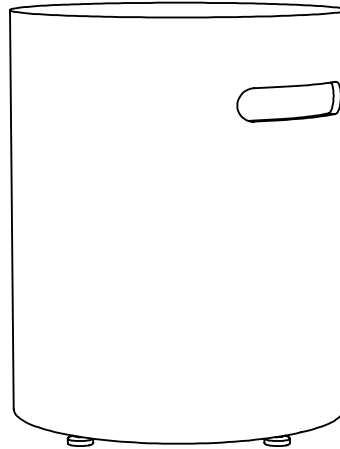


Lot: _____

P.O. _____



realflame[®]
f i r e p l a c e s



616

Mezzo Round Tank Cover

! IMPORTANT
READ BEFORE USE

SAVE THESE
INSTRUCTIONS

! Warning:
For Outdoor Use Only.
If stored indoors, detach
and leave cylinder outdoors.

! Warning:

- ! If the information in this manual is not followed exactly, a fire or explosion may result causing property damage, personal injury or loss of life.**
- ! Installation and service must be performed by a qualified installer, service agency or gas supplier.**
- ! Improper installation, adjustment, alteration, service or maintenance can cause injury or property damage.**
- ! Read the installation, operation and maintenance instructions thoroughly before installing or servicing this equipment.**
- ! Save these instructions for future reference. If you are assembling this unit for someone else, give this manual to him or her to read and save for future reference.**

! DANGER

If you smell gas:
1. Shut off gas to the appliance.
2. Extinguish any open flame.
3. If odor continues, keep away from the appliance and immediately call your gas supplier or fire department.

! WARNING

Use Liquefied Petroleum Gas (LP-Gas) only!
Do not store or use gasoline or other flammable vapors and liquids in the vicinity of this or any other appliance.
An LP-cylinder not connected for use should not be stored in the vicinity of this or any other appliance.

Propane Cylinders Sold Separately
Real Flame Customer Service: 1-800-654-1704

Table of Contents

| | |
|---|----|
| Important Safety Information | 3 |
| Propane (LP) Gas Dangers and Warnings | 5 |
| Hose and Regulator Assembly and Replacement | 7 |
| Parts List | 8 |
| Pre-Use Instructions | 9 |
| Assembly Instructions | 10 |
| Care and Cleaning | 13 |
| Warranty | 14 |

DANGER

CARBON MONOXIDE HAZARD

This appliance can produce carbon monoxide which has no odor.

Using it in an enclosed space can kill you.

Never use this appliance in an enclosed space such as a camper, tent, car or home.



SPECIFICATIONS

Product Name

Mezzo Square Tank Cover

Type of Gas

Propane (LP)

Model No.

670

Gas Supply

20 lb LP-Gas Cylinder

Rated Heat Output

N/A

Important Safety Information



WARNING FIRE TABLE IS FOR OUTDOOR USE ONLY

- **WARNING** Failure to follow the dangers, warning and cautions in this manual may result in serious bodily injury or death, or in a fire or an explosion causing damage to property.
- **WARNING** Improper installation, adjustment, alteration, service or maintenance can cause injury or property damage. Read the installation, operating and maintenance instructions thoroughly before installing or servicing this equipment.
- **NOTE** When an appliance is for connection to a fixed piping system, the installation must conform with local codes, or in the absence of local codes with the National Fuel Gas Code, ANSI Z223.1/NFPA 54; International Fuel Gas Code, Natural Gas and Propane Installation Code, CSA B149.1; or Propane Storage and Handling Code, B149.2, as applicable.
- **NOTE** The appliance, when installed, must be electrically grounded in accordance with local codes, or in the absence of local codes with the National Electrical Code, ANSI/NFPA 70; or the Canadian Electrical Code, CSA C22.1, if applicable.
- **Minimum Clearance from Unit to Combustible Materials**
72”(182.9cm) from the top; 48” (121.9 cm) from all sides and back. Do not locate this fire table under any overhead enclosure.

IF YOU SMELL GAS

- Shut off gas supply to the fire table.
- Extinguish any open flame.
- Do not try lighting any appliance.
- Do not touch any electrical switch; do not use any phone in your building.
- Immediately call your gas supplier from a neighbor’s phone.
- Follow the gas supplier’s instructions.
- If you cannot reach your gas supplier, call the fire department.
- **Children and adults should be alerted to the hazards of high surface temperatures and be kept at a safe distance while fire table is in use.**
- **This outdoor fire table is NOT to be operated by children. Young children should be closely supervised when in the vicinity of this outdoor fire table.**
- **Do not hang or place clothing or other flammable materials on or near the gas fire table.**
- **Any guard or protective device removed for servicing the appliance shall be replaced prior to operating the appliance.**
- **Installation and repair should be done by a qualified service person. The appliance should be inspected before use and at least annually by a qualified service person. More frequent cleaning may be required as necessary. It is imperative that the control compartment, burners, and circulating air passageways of the appliance are kept clean.**
- Keep these instructions for future reference. If you are assembling this unit for someone else, give this manual to him or her to read and keep for future reference.
- Do not use this unit for cooking.
- Do not pour water into the firetable.
- **DO not use this outdoor fire table if any part has been under water. Immediately call a qualified service technician to inspect the fire table and to replace any part or control system and any gas control which has been under water.**
- This gas fire table and its individual shutoff valve must be disconnected from the gas supply piping system during any pressure testing of that system at test pressures in excess of 1/2 of psi (3.5 kPa). The appliance must be isolated from the gas supply piping system by closing its individual manual shutoff valve during any pressure testing of the gas supply piping system at test pressures equal to or less than 1/2 psi (3.5 kPa).

Important Safety Information (Continued)

- This gas fire table must be used ONLY outdoors in a well-ventilated space and shall NOT be used inside a building, garage, or any other enclosed area.
- DO NOT use this outdoor gas fire table for indoor heating. TOXIC carbon monoxide fumes can accumulate and cause asphyxiation.
- NEVER LEAVE this gas fire table unattended when in use.
- Do not store or use gasoline or other flammable vapors and liquids within 25 feet (7.62m) of this or any other appliance.
- Do not store any combustible materials in the base enclosure.
- Never use a flame to check for gas leaks.
- The use of alcohol, prescription or non-prescription drugs may impair an individual's ability to properly assemble or safely operate this outdoor fire table.
- DO NOT use in an explosive atmosphere. Keep gas fire table area clear and free from combustible materials, gasoline and other flammable vapors and liquids.
- This outdoor fire table is not to be installed or used in or on recreation vehicles and/or boats.
- Always use in accordance with all applicable local, state and national codes. Contact your local fire department for details on outdoor burning.
- Use the same precautions you would with any open fire when using this outdoor fire table.
- DO NOT burn solid fuels such as: wood, charcoal briquettes, lump charcoal, manufactured logs, driftwood, trash, leaves, paper, cardboard, plywood, painted or stained or pressure treated wood in this outdoor fire table.
- DO NOT use this outdoor fire table until it is COMPLETELY assembled and all parts are securely fastened and tightened.
- DO NOT store another LP gas tank within 10 feet (3.05 m) of this outdoor fire table while it is in operation.
- DO NOT use this outdoor fire table near automobiles, trucks, vans or recreational vehicles.
- DO NOT use this outdoor fire table under any overhead structure or near any unprotected combustible constructions. Avoid using near or under overhanging trees and shrubs.
- Always use this outdoor fire table on a hard, level non-combustible surface such a concrete, rock or stone. An asphalt or blacktop surface may not be acceptable for this purpose.
- DO NOT wear flammable or loose clothing when operating this outdoor fire table.
- DO NOT use in windy conditions.
- Keep all electrical cords away from a hot outdoor fire table.
- Certain areas of this outdoor fire table when in use will become too hot to touch. Do not touch hot surfaces until the unit has cooled unless you are wearing protective gear such as insulated pot holders or heat resistant gloves or mittens to avoid burns.
- DO NOT attempt to move or store this outdoor fire table until all parts are cool.
- DO NOT lean over this outdoor fire table when lighting or when in use.
- Use only the regulator and hose assembly provided. The replacement regulator and hose assembly shall be that specified by the manufacturer.
- DO NOT attempt to disconnect the gas regulator from the tank or any gas fitting while the outdoor fire table is in use.
- Always shut off gas supply at the tank valve and disconnect regulator from the tank when the fire table is not in use.
- DO NOT sit on the fire table when the unit is in operation.
- DO NOT throw anything onto the fire when the unit is in operation.
- Lava rocks are very hot; please keep children or pets at a safe distance.
- It is essential to keep the outdoor fire table valve compartment, burners, and circulating air passages clean. Inspect outdoor fire table before each use.

Important Safety Information (Continued)

- Prior to each fire table operation, check the hose for evidence of excessive abrasion or wear by looking through the visual check hole. If the hose is damaged, cracked or cut, it must be replaced before using the gas fire table. The hose assembly can only be replaced with a hose assembly specified by the manufacturer. Please call Real Flame at 1-800-654-1704.
- Before each use, remove the lava rocks. Examine the burner and its components. If dirty, clean with a soft brush and soapy water solution. Also examine the area around the burner. Any dirt or foreign material, such as spider webs or nests in this area should be removed. If it is evident that the burner is damaged, the fire table must not be used. The burner assembly can not be replaced. Please contact Real Flame at 1-800-654-1704 for technical support.
- Place the hose out of the pathways where people may trip over it. Do not place the hose in areas where it may be subjected to accidental damage.

DANGER

This outdoor fire table is for use with liquid propane (LP) gas only. The conversion to or attempted use of natural gas in this outdoor fire table is dangerous and could result in serious personal injury, or property damage.

ATTENTION: Any alteration of the outdoor fire table that is not specifically directed in the operations manual will void manufacturer warranty.

Propane (LP) Dangers And Warnings

LP GAS

LP gas is flammable and hazardous if handled improperly. Become aware of the characteristics before using any LP gas product.

Propane Characteristics

- Flammable, explosive under pressure, heavier than air and settles in pools in low areas.
- In its natural state, propane has no odor. For your safety, an odorant has been added.
- Contact with propane could burn your skin.
- Propane is extremely flammable and hazardous if handled improperly.

LP GAS WARNINGS

- Cylinders must be stored outdoors in a well-ventilated area out of reach of children.
- Disconnected cylinders must have threaded valve plugs tightly installed and must not be stored in a building, garage or any other enclosed area.
- Never use a propane cylinder with a damaged body, valve, collar or footing.
- Dented or rusted propane cylinders may be hazardous and should be checked by your propane gas supplier.
- Be sure to use only one 20 lb (9.1 kg) LP gas cylinder with a Type 1 valve with this appliance as required by the American National Standards Institute (ANSI) and the Canadian Standards Steering Committee.
- Only tanks marked "propane" may be used.
- The LP gas supply tank must be constructed and marked in accordance with the Specifications for LP gas LP gas tanks of the U.S. Department of Transportation (DOT) or the National Standard of Canada, CAN/CSA-B339, LP gas tanks, Spheres and Tubes for the Transportation of Dangerous Goods; and Commission.

Propane (LP) Dangers And Warnings (Continued)

- LP gas tank must be arranged for vapor withdrawal.
- The LP gas tank must have a listed overfilling prevention device (OPD) and a QCCI or Type I (CGA810) LP gas tank connection.
- The LP gas tank must have a tank collar to protect the tank valve.
- LP gas cylinder must contain a shut-off valve as specified in the Standard for Compressed Gas Cylinder Valve Outlet and Inlet Connection, ANSI/CGA-V-1-1977, CSA B96.
- Never use an LP gas tank with a damaged body, valve, collar, or footing. Dented or rusted LP gas tanks may be hazardous and should be checked by your LP gas supplier prior to use.
- The LP gas tank should not be dropped or handled roughly.
- Tanks must be stored outdoors out of the reach of children. Do NOT store in a building, garage, or any other enclosed area.
- Never store your LP gas tank where temperatures can reach over 125°F.
- Do not store the LP gas cylinder in direct sunlight or near a source of heat or combustion.
- Never keep a filled LP gas tank in a hot car or car trunk. Heat will cause the gas pressure to increase, which may open the relief valve and allow gas to escape.
- Place dust cap on valve outlet whenever the LP gas tank is not in use. Only install the type of dust cap on the LP gas tank valve outlet that is provided with the LP gas tank valve. Other types of caps or plugs may result in leakage of propane.
 - a. Do not store a spare LP gas cylinder under or near this appliance.
 - b. Never fill the LP gas cylinder beyond 80% full.
 - c. If the information in (a) and (b) is not followed exactly, a fire causing death or serious injury may occur.
- LP gas cylinders should be filled only by a certified LP gas dealer.
- The pressure regulator is set for 11 inches of water column (pressure).
- The maximum inlet gas pressure for this outdoor fire table is 14 inches of water column pressure.
- Never attempt to attach this appliance to the self-contained LP gas system of a camper trailer, motor home or house.
- Always use the pressure regulator and hose assembly provided with the appliance to connect to a LP gas cylinder. Never connect to an unregulated LP gas supply. For technical support contact Real Flame at 1-800-654-1704.
- Hand turn the manual gas control valve. Never use tools. If the valve will not turn by hand, do not try to repair it. Call a Certified Gas Technician. The use of force or any self attempted repair may result in a fire or explosion.

Connecting your gas cylinder:

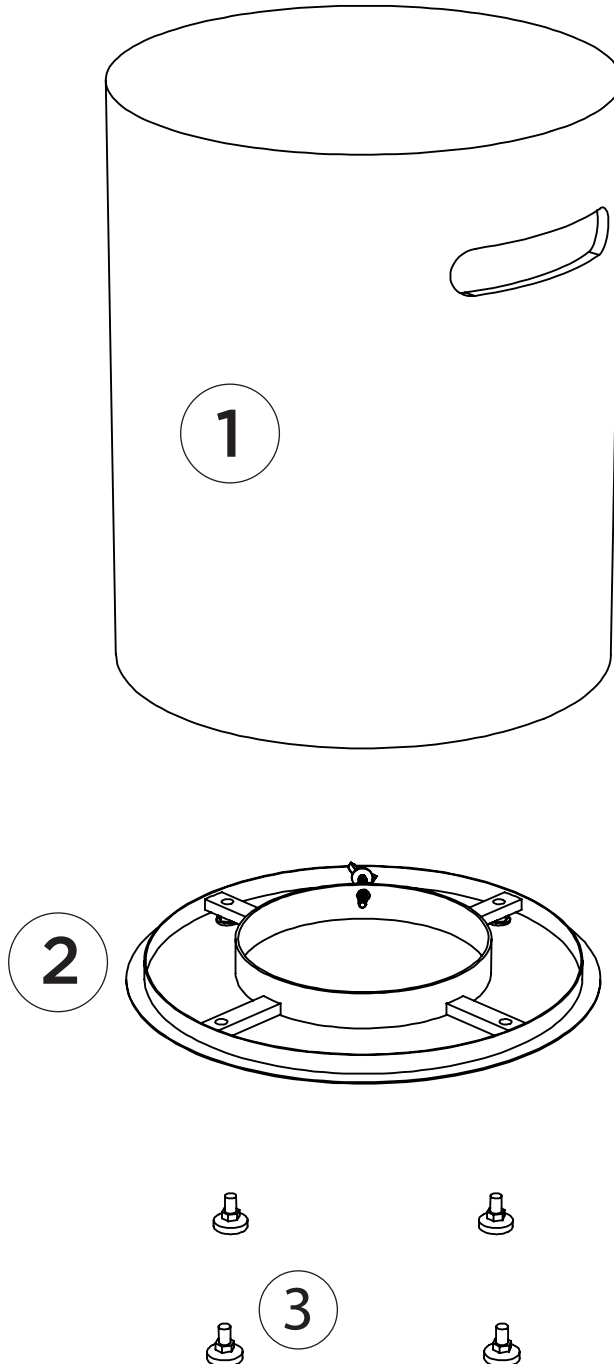
Before connection, be sure that there is no debris caught in the head of the gas cylinder, head of the regulator valve or in the head of the burner and burner ports. Connect regulator valve and hand-tighten firmly. Disconnect the propane cylinder from the regulator valve when the fire table is not in use. DO NOT obstruct the flow of combustion air and ventilation air to the burner.

Hose & Regulator Assembly And Replacement

- 1.** This fire table comes equipped with a standard LP gas hose and regulator including the appliance side connection for a CGA No 791 Cylinder Connection Device. The LP gas hose and regulator supplied with this fire table must be used. Only a hose and regulator specified by manufacturer can be used for replacement.
 - a.** The CGA No 791 connection incorporates a magnetic flow limiting device that acts to limit the flow of gas if a leak is detected between the regulator and the burner valve.
 - b.** If the burner valve is open prior to the LP gas cylinder service valve being opened, the connection will interpret this free flow of gas to be a leak.
 - c.** The connection safety feature will reduce gas flow from the regulator to the appliance to a minimal level.
 - d.** Be sure that the burner control valve is closed prior to opening the LP gas cylinder service valve to ensure that the connection flow limiting device is not triggered mistakenly.
 - e.** If the connection flow limiting device is triggered mistakenly, close the LP gas cylinder service valve and the burner valve, wait 10 seconds to allow the device to reset, open the cylinder service valve, then open the burner valve and light the fireplace as per lighting instructions.
- 2.** Be sure to protect the hose from any hot surfaces. Serious danger may result if the hose contacts any hot surface.
- 3.** Regular maintenance of the hose and regulator:
 - a.** Inspect the hose before each use of the fire table. If the hose shows signs of cracks, abrasions, cuts or damage of any kind, do not operate the appliance. Fix or replace the hose as required before using the appliance. For assistance with repair or replacement of the hose, call Real Flame at 1-800-654-1704. Use only replacement parts from the manufacturer.
 - b.** Inspect the seal inside the CGA No 791 service valve on the LP gas cylinder when replacing the cylinder or at least once per year. If there is any indication of damage, have the seal replaced by a certified gas dealer before operating the appliance.
- 4.** Do not use tools to tighten the CGA No 791 connection nut onto the LP gas cylinder service valve. Hand tighten only.
- 5.** Be careful to not cross the threads on the connection when tightening the CGA No 791 connection on to the LP gas cylinder service valve.
- 6.** “Leak Test” should always be performed after attaching the connection to the LP gas cylinder service valve. (See “Checking for Leaks” section of this manual on page 12)
- 7.** For the connection of the hose and regulator to the LP tank, refer to the “Connection” section of the LP gas cylinder section above.

Parts List

| | | |
|--------------------|----------|---|
| ① Tank Holder Top | | 1 |
| Antique White | 06164800 | |
| Flint Grey | 06164800 | |
| ② Tank Holder Base | | 1 |
| ③ Feet | | 4 |



Prior to each gas fire table operation, check the hose and valve for evidence of excessive abrasion or wear. If any parts appear to be damaged call Real Flame at 1-800-654-1704 before use.

⚠ WARNING Before using this outdoor fire table, make sure you have read, understand and are following all information provided in the Important Safety Information section of this manual. Failure to follow those instructions can cause death, serious injury or property damage.

CHECKING FOR LEAKS

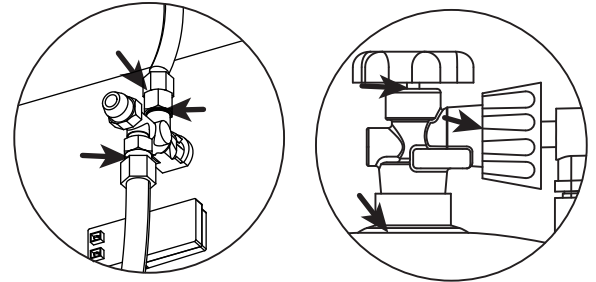
Make a leak check solution by mixing 1 part dishwashing soap with 3 parts water in a spray bottle.

Make sure control knob is “OFF.” Then, turn LP gas tank to “ON” at valve.

Spray leak solution on valve connections paying particular attention to the areas indicated by arrows.

If any bubbles appear turn LP gas tank OFF, reconnect and re-test. If you continue to see bubbles after several attempts, disconnect LP gas source and contact Real Flame at 1-800-654-1704 for assistance.

If no bubbles appear after one minute turn tank OFF, wipe away solution and proceed.



Check for leaks at these locations

⚠ WARNING

- DO NOT use an open flame to check for leaks.
- DO NOT smoke while testing the unit.
- NEVER test the unit indoors.
- Leak checks must be performed any time the gas cylinder is replaced.

Inspecting

This outdoor fire table must be inspected regularly to ensure that the product is safe to use and to extend product life.

⚠ WARNING DO NOT inspect this outdoor fireplace until the fire is COMPLETELY out.

1. Check the burner to make sure it is securely in place and that there is not excessive wear or damage.
2. Check the venturi tube to make sure it is clear and free of insects, spider nests and other debris.
3. Check all gas connections for leaks.
4. Check ignition system to insure proper sparking.
5. Check components for any signs of damage, rust or excessive wear.
6. If damage to any component is detected, DO NOT operate until the proper repairs have been made.

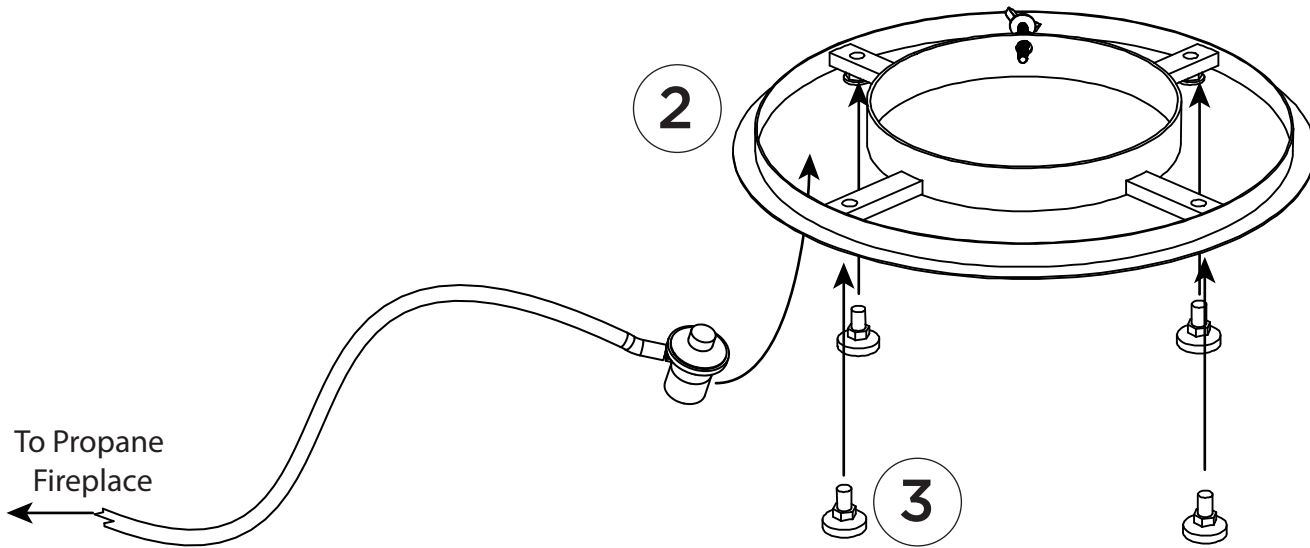
⚠ WARNING DO NOT tamper with this appliance. This is DANGEROUS and will void the warranty. Any part found to be faulty must be replaced with an approved part, confirmed by the manufacturer. For technical support or replacement parts, please contact Real Flame at: 1-800-654-1704.

Assembly Instructions

2

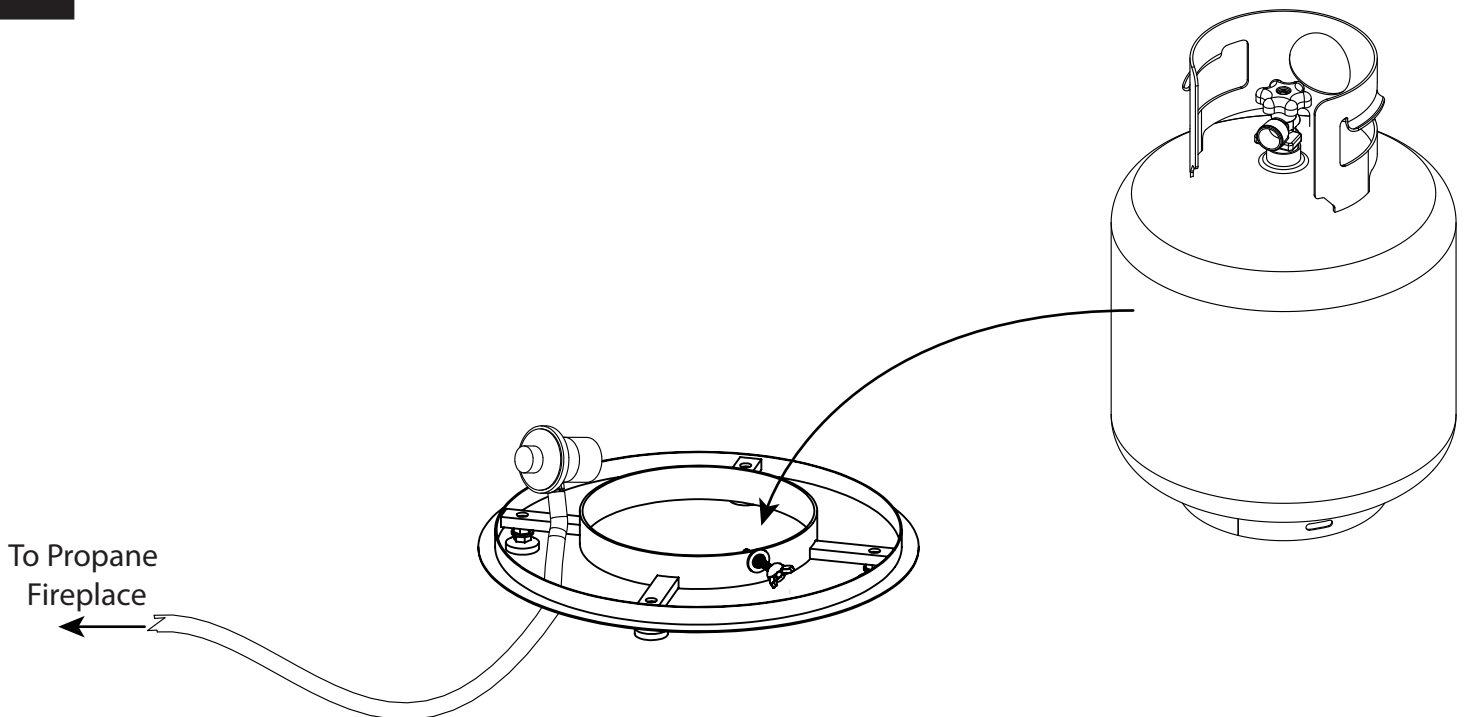
Screw the Feet (3) onto the Base (2).

Feed the propane tank end connection of the hose up through the bottom of the Tank Holder Base (2). Be sure to not feed the hose through the center of the base (this is where the propane tank will be seated).



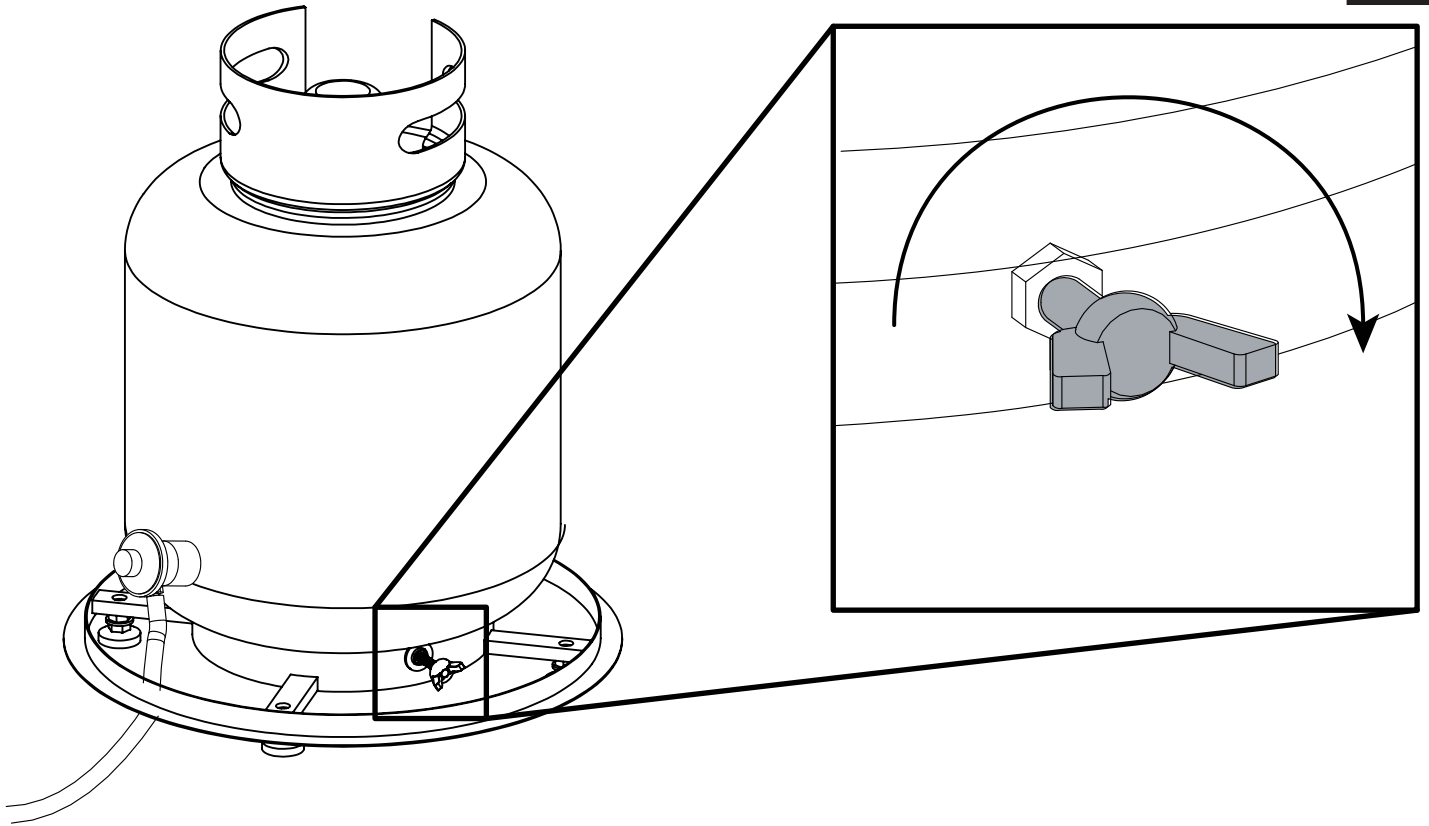
3

Place the propane tank in the base.



Place the propane tank in the base and secure the tank by tightening the screw at the bottom of the base.

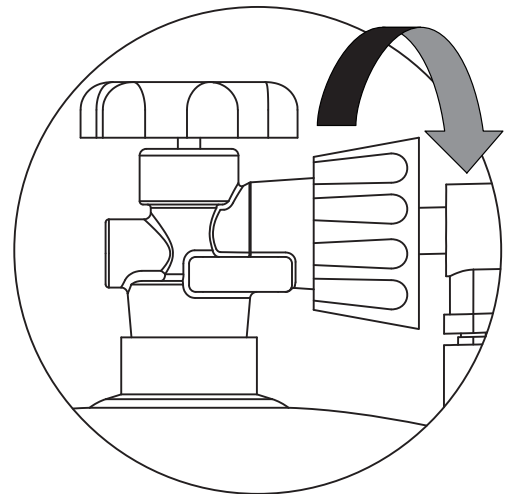
4



Connecting the LP Gas Tank

Check to make sure there is no debris in the head of the LP gas tank or in the head of the regulator valve. Make sure you check the burner and burner ports as well.

Connect gas line to tank by turning knob clockwise. Hand tighten only.

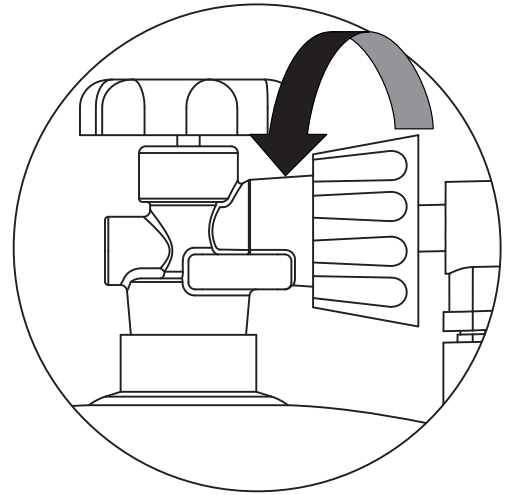


5

Disconnecting the LP Gas Tank

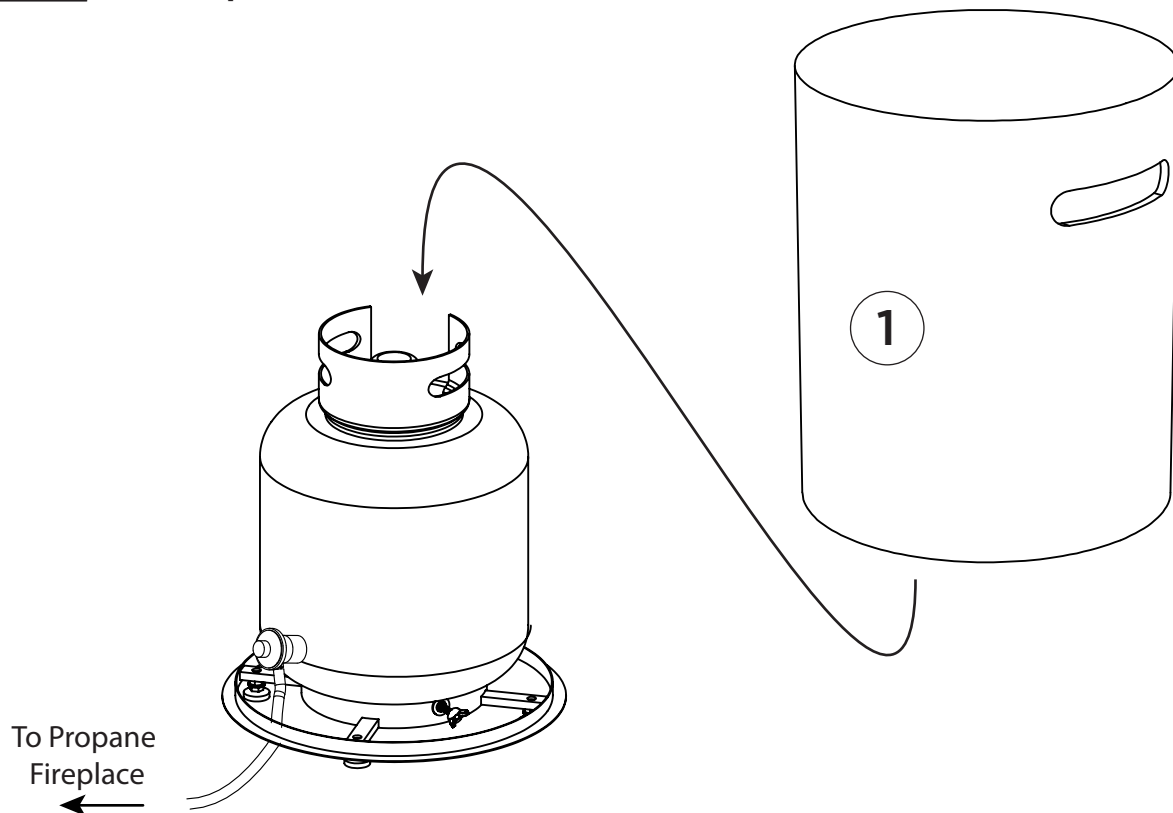
Make sure the valve on the LP gas tank is OFF.

Disconnect by turning the knob counter clockwise until it is off.



With the propane tank secured and the regulator hose connected, place the Top (1) onto the Base (2).

Do not sit on top of Tank Holder.



Care and Cleaning

Cleaning

Your outdoor fire table and LP tank cover should be cleaned regularly to ensure safe use and extend product life.

WARNING

DO NOT attempt to clean your outdoor fire table unless the fire is COMPLETELY out and the unit is cool to touch.

WARNING

DO NOT use oven cleaner or abrasive cleaners as they will damage this product.

1. Wipe exterior surfaces with a mild dishwashing soap or baking soda.
2. Rinse clean with water.

Storage

WARNING

DO NOT move or store your outdoor fire table unless the fire is COMPLETELY out and cool to the touch.

Turn gas OFF at tank connection. Remove tank and store in a cool dry location outdoors and away from children and pets.

Warranty & Return Policies

Warranty

Real Flame® Company warrants Real Flame gas fireplaces and accessories to be free from defects in parts under normal use and service for a period of 1 year from the date of purchase and defective from finish issues for a period of 90 days from the date of purchase. In the event of such defects Real Flame will, at its option, replace the defective product or refund the purchase price. The foregoing is the exclusive remedy and Real Flame disclaims all other warranties, including any implied warranty of merchantability or fitness for a particular purpose. In addition, Real Flame will not be responsible for consequential damages in excess of the purchase price of the product on which such liability is based.

Return Policy

You may return your purchase within 90 days of receipt. No refunds will be issued for incomplete or unauthorized returns. All returned products must be 100% complete, adequately packaged in original packaging and in resalable condition. Products that have been assembled or modified will not be eligible for return. All items must be returned in their entirety, meaning all items included must be returned together. No returns or exchanges on discontinued items. Please begin the return process by contacting the store or company where you bought your Real Flame item.

Replacement Parts

In the event that an item has been lost or damaged either by the manufacturer or in shipping you may request a replacement. Replacement parts are not available for all units and only given at Real Flame's discretion. We will assess any damage and find a solution, which could include ordering and shipping a replacement to you. No replacements are available for discontinued items or repackaged (open box) products. Please call Real Flame Customer Service at 800-654-1704 for replacement parts before returning the damaged item. Please have the following information, which can be found in your instruction manual, ready before you call Customer Service.

- Model Number of Item
- 4-8 digit Part Number
- Lot Code Number
- Shipping Address
- A picture of the damaged item may be requested. Pictures should be sent to custserv@realflame.com

Incorrect Order Received

If you received something other than you ordered, please contact Real Flame Customer Service at 800-654-1704 within 48 hours of receiving the item.

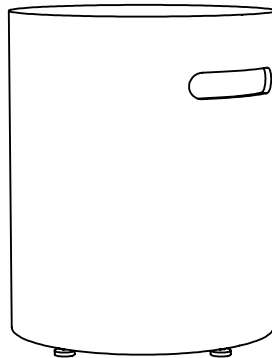
Please refer to www.Realflame.com for our complete return guidelines and policies.

Real Flame®
7800 Northwestern Ave.
Racine, WI 53403

Customer Service: 1-800-654-1704 in USA
Service à la clientèle: 1-800-363-6443 in Canada
custserv@realflame.com



realflame[®]
fireplaces



616

Couvercle du Réservoir Autour Mezzo

! IMPORTANT

CONNAISSANCE
AVANT D'UTILISER

CONSERVER CES
INSTRUCTIONS

! AVERTISSEMENT

Pour un usage extérieur
exclusivement. NE PAS utiliser
pour la cuisson. NE PAS utiliser
sous une enceinte couverte.

! AVERTISSEMENT

La négligence à suivre
scrupuleusement les instructions
contenues dans ce manuel peut
provoquer un incendie ou une
explosion occasionnant des
dommages à la propriété, des
blessures sérieuses et même la
mort.

L'installation et l'entretien doivent
être faits par un installateur qualifié,
une compagnie d'entretien ou un
fournisseur de gaz.

Une installation, une mise au point, une
modification ou un entretien inappropriés
peuvent occasionner des blessures ou des
dommages à la propriété.

Lire attentivement les instructions
concernant l'installation, l'utilisation et
l'entretien avant d'installer ou d'utiliser
l'appareil.

Garder ces instructions pour une
consultation future. Si vous assemblez cet
appareil pour quelqu'un d'autre, lui
donner le manuel pour lecture et
consultation futures.

! DANGER

Si vous percevez une odeur de gaz :

1. Couper l'alimentation en gaz de l'appareil.
2. Éteindre toute flamme nue.
3. Si l'odeur persiste, vous éloigner de l'appareil et appeler immédiatement votre fournisseur de gaz ou le service des incendies.

! AVERTISSEMENT

Utiliser du gaz de pétrole liquéfié (GPL)
seulement!

Ne pas entreposer ou utiliser d'essence,
de vapeurs ou liquides inflammables à
proximité de cet appareil ou de tout
autre appareil.

Cet appareil n'est pas conçu pour être
utilisé avec du propane. Utiliser du gaz
naturel uniquement.

Les bouteilles de propane sont vendues séparément
Pour le support technique S'il vous plaît nous contacter: 1-800-654-1704

Table Des Matières

| | |
|---|----|
| Instruction de sécurité importante | 3 |
| Avertissements et dangers du Propane (PL) | 5 |
| Remplacement et assemblage du boyau et du régulateur. | 7 |
| Liste des pièces | 8 |
| Instructions avant usage | 9 |
| Instructions pour l'assemblage | 10 |
| Soins et entretien | 13 |
| Garantie | 14 |

DANGER

DANGER DE MONOXYDE DE CARBONE

Cet appareil peut produire du monoxyde de carbone, lequel est toujours inodore.

Utiliser cet appareil dans un endroit fermé peut causer la mort.

Ne jamais utiliser cet appareil dans un espace fermé comme une fourgonnette de camping, une tente, une voiture ou à l'intérieur de la maison.



CARACTÉRISTIQUES

Nom du produit

Couvercle du Réservoir Carré Mezzo

Type de gaz

Propane (PL)

n° de modèle

670

Approvisionnement en Gaz

Réservoir de Propane Gaz 20 lbs

Puissance Calorifique Nominale

N/A

Instruction De Sécurité Importante



AVERTISSEMENT LA TABLE-FOYER EST CONÇUE EXCLUSIVEMENT POUR L'EXTÉRIEUR

SI VOUS PERCEVEZ UNE ODEUR DE GAZ

- Couper l'alimentation en gaz de la table-foyer.
 - Éteindre toute flamme nue.
 - N'allumer aucun appareil.
 - Ne toucher aucun interrupteur électrique; n'utiliser aucun téléphone de l'immeuble.
 - Appeler immédiatement un fournisseur de gaz d'un téléphone de votre voisinage.
 - Suivre les instructions de votre fournisseur de gaz.
 - Si vous ne pouvez parler à votre fournisseur de gaz, appeler le service des incendies.
- **AVERTISSEMENT** La négligence à suivre les avertissements de danger et de précautions de ce manuel peut occasionner des blessures corporelles sérieuses ou la mort ou provoquer un incendie ou une explosion occasionnant des dommages à la propriété.
 - **AVIS IMPORTANT** Lire et comprendre tous les avertissements et toutes les précautions avant de procéder à l'assemblage et à l'utilisation de votre table-foyer au gaz. Une installation, une mise au point, une modification ou un entretien inappropriés peuvent occasionner des blessures et des dommages à la propriété.
 - **Note** L'utilisation et l'installation de ce produit doivent être conformes aux règlements en vigueur dans votre région. En l'absence de règlements, utiliser les règlements nationaux régissant l'utilisation du gaz ANSI Z223.1/NFPA 54. Se reporter aux codes d'installation du gaz naturel et du gaz propane (CSA B149.1) et à l'entreposage et la manipulation du propane (B149.2).
 - **Note** L'appareil, une fois installé, doit être électriquement mis à la terre selon les codes locaux en vigueur, ou en l'absence de codes locaux, selon le Code national d'électricité, ANSI/NFPA 70, ou le Canadian Electrical Code, selon le cas.
 - **Dégagement minimum de l'unité des matériaux combustibles**
72" (182.9cm) du dessus; 48" (121.9 cm) de chacun des côtés et du derrière. Ne pas installer cette table-foyer sous une enceinte couverte.
 - **Les enfants et les adultes devraient être prévenus de la haute température des surfaces et être tenus à une distance sécuritaire lorsque la table-foyer est en usage.**
 - **Cette table-foyer extérieure ne doit PAS être utilisée par des enfants. Les jeunes enfants devraient faire l'objet d'une surveillance constante lorsqu'ils sont à proximité de la table-foyer extérieure.**
 - **Ne pas accrocher ou placer des pièces de vêtement ou tout autre matériel inflammable sur ou près de la table-foyer au gaz.**
 - **Toute protection ou tout autre dispositif de sécurité enlevé lors de l'entretien courant doit être replacé avant de réutiliser la table-foyer.**
 - **L'installation et les réparations doivent être faites par un technicien qualifié. L'appareil devrait être inspecté avant usage et au moins une fois l'an par un technicien qualifié. Des nettoyages plus fréquents peuvent être nécessaires. Le compartiment des boutons de contrôle, les brûleurs, et les canaux de circulation de l'air devraient toujours être gardés propres.**
 - Garder ces instructions pour une consultation future. Si vous assemblez cet appareil pour quelqu'un d'autre, lui donner le manuel pour une lecture et une consultation futures.
 - NE PAS utiliser pour la cuisson.
 - Ne pas répandre d'eau dans et sur le feu ou sur la table-foyer.

Instruction De Sécurité Importante

- NE PAS utiliser cette table-foyer extérieure si des parties sont sous l'eau. Appeler immédiatement un technicien qualifié pour inspecter la table-foyer et pour remplacer toute pièce ou système de commande et toute commande de gaz qui auraient été sous l'eau.
- Cette table-foyer au gaz et sa soupape d'arrêt individuelle doivent être débranchées du système d'alimentation en gaz durant les tests de pression de ce système pour des tests de pressions au-delà de 1/2 psi (3.5 kPa). L'appareil doit être isolé du système d'alimentation en gaz en fermant manuellement sa soupape d'arrêt individuelle durant les tests de pression du système d'alimentation en gaz pour les tests équivalant à 1/2 psi (3.5 kPa) ou moins.
- Cette table-foyer au gaz est conçue pour un usage extérieur SEULEMENT, dans un endroit bien ventilé et ne doit PAS être utilisée dans un immeuble, un garage ou tout autre endroit fermé.
- NE PAS utiliser cette table-foyer extérieure pour chauffer à l'intérieur. Les vapeurs TOXIQUES de monoxyde de carbone peuvent s'accumuler et provoquer une asphyxie.
- NE JAMAIS LAISSER cette table-foyer au gaz sans surveillance lors de son usage.
- Ne pas entreposer ou utiliser d'essence, de liquides ou vapeurs inflammables à au moins 25 pieds (7,62 m) de cet appareil ou de tout autre appareil.
- Ne pas entreposer de matériaux combustibles dans l'enceinte de la base.
- Ne jamais utiliser une flamme pour vérifier les fuites de gaz.
- L'utilisation d'alcool, de médicaments ou de drogues peut altérer les capacités d'un individu et l'empêcher de bien assembler ou d'utiliser de façon sécuritaire cette table-foyer extérieure.
- NE PAS utiliser dans un environnement où des vapeurs inflammables peuvent s'accumuler. Mettre la table-foyer dans un endroit dégagé et libre de tous matériaux combustibles, d'essence, de liquides et de vapeurs inflammables.
- Cette table-foyer extérieure ne doit pas être installée ou utilisée dans ou sur des véhicules récréatifs et /ou sur des bateaux.
- Toujours utiliser selon les règlements locaux, nationaux ou provinciaux en vigueur. Contacter le service des incendies de votre localité pour connaître les détails concernant les feux extérieurs.
- User avec cette table-foyer extérieure, des mêmes précautions que vous le feriez avec un feu extérieur.
- NE PAS brûler de combustibles solides tels que du bois, des briquettes de charbon, du charbon de bois en blocs, des bûches manufacturées, du bois de grève, des déchets, des feuilles, du papier, du contreplaqué, du bois traité peint ou teint dans cette table-foyer extérieure.
- Toujours utiliser cette table-foyer extérieure sur une surface dure, de niveau et non combustible comme le béton, la roche ou la pierre. L'asphalte et les revêtements hydrocarbonés ne sont pas acceptables pour cet usage.
- NE PAS porter de vêtements inflammables ou amples lors de l'utilisation de cette table-foyer extérieure.
- NE PAS utiliser par temps venteux.
- Garder les rallonges électriques éloignées d'une table-foyer extérieure qui est chaude.
- Certaines parties de cette table-foyer extérieure deviennent trop chaudes pour être touchées lors de l'utilisation. Ne pas toucher les surfaces chaudes avant que l'appareil n'ait refroidi, à moins que vous n'utilisiez un dispositif de protection comme des gants isolés pour le four ou des poignées afin d'éviter des brûlures.
- NE PAS tenter de déplacer ou d'entreposer cette table-foyer extérieure avant que toutes les pièces n'aient refroidi.
- NE PAS vous pencher au-dessus de cette table-foyer lorsque le feu est allumé ou qu'elle est en usage.

Instruction De Sécurité Importante

- Utiliser seulement le régulateur et le tuyau fournis avec l'appareil. Le remplacement du régulateur et du tuyau ne devrait se faire que par ceux suggérés par le fabricant.
- NE PAS tenter de déconnecter le régulateur de gaz du réservoir ou tout autre raccord de gaz lorsque l'appareil est en usage.
- Toujours couper l'alimentation en gaz à partir de la soupape du réservoir et déconnecter le régulateur du réservoir quand la table-foyer n'est pas en usage.
- NE PAS vous asseoir sur le manteau lorsque l'appareil est en usage.
- NE PAS lancer d'objets sur le feu lorsque l'appareil est en usage.
- Les pierres de lave sont très chaudes; tenir les enfants et les animaux domestiques à une distance sécuritaire.
- Il est très important de garder le compartiment à soupape de la table-foyer extérieure, ses brûleurs et les passages de circulation d'air toujours propres. Inspecter votre table-foyer extérieure avant chaque usage.
- Avant chaque utilisation, vérifier le tuyau à l'affût d'abrasion excessive, d'usure en regardant à travers le trou d'inspection visuelle. Si le tuyau est endommagé, fissuré ou coupé, il doit être remplacé avant d'utiliser la table-foyer au gaz. L'ensemble de tuyaux ne peut être remplacé que par un ensemble recommandé par le fabricant. Contacter Real Flame au 1 800-654-1704.
- Avant chaque usage, retirer les pierres de lave. Examiner le brûleur et ses composantes. S'il y a des saletés, nettoyer avec une brosse douce et une solution d'eau savonneuse. Examiner ce qui entoure le brûleur, toutes saletés ou tous matériaux étrangers tels que des nids ou des toiles d'araignée devraient être enlevés. S'il y a évidence de dommage au brûleur, la table-foyer ne devrait pas être utilisée. L'ensemble du brûleur ne peut être remplacé. Contacter Real Flame au 1 800-654-1704 pour un soutien technique.
- Garder le tuyau hors de la circulation afin que personne ne trébuche sur celui-ci. Ne pas placer le tuyau dans un endroit où il pourrait subir des dommages accidentels.

AVERTISSEMENT

Cette table-foyer extérieure est conçue pour être utilisée avec du gaz propane exclusivement (PL). Convertir ou tenter d'utiliser du gaz naturel dans cette table-foyer extérieure est dangereux et peut occasionner des blessures sérieuses ou des dommages à la propriété

ATTENTION : Toute modification de la table-foyer extérieure qui n'est pas directement spécifiée dans le manuel d'instructions annulera la garantie du fabricant.

Avertissements Concernant Le Gaz PL

GAZ PL

Le gaz PL est inflammable et dangereux s'il est manipulé de façon inappropriée. Soyez conscient de ses caractéristiques avant d'utiliser tout produit au gaz PL.

Caractéristiques du propane

- Inflammable, explosif sous pression, plus lourd que l'air, et s'accumule en basse surface.
- À son état naturel, le propane n'a pas d'odeur. Pour votre sécurité, un agent odorant y a été ajouté.
- Le contact avec le propane peut brûler votre peau.
- Le propane est extrêmement inflammable et dangereux s'il est manipulé de façon inappropriée.

AVERTISSEMENTS CONCERNANT LE GAZ PL

- Les bouteilles doivent être entreposées à l'extérieur dans un endroit bien ventilé et hors de portée des enfants.
- Les bouteilles déconnectées doivent avoir une soupape filetée et hermétiquement installée et ne devraient pas être entreposées dans une résidence, un garage ou tout autre endroit fermé.

Avertissements Concernant Le Gaz PL

- Ne jamais utiliser une bouteille de propane avec une soupape, un collet, une surface ou un socle endommagés.
- Les bouteilles de propane bosselées ou rouillées peuvent être dangereuses et devraient être vérifiées par votre fournisseur de gaz propane.
- Vous assurer d'utiliser, avec votre appareil, uniquement une bouteille de gaz PL de 20 lb (9,1 kg) avec une valve de Type 1 tel que requis par l'American National Standards Institute (ANSI) et par le Canadian Standards Steering Committee.
- Seulement les réservoirs marqués « propane » peuvent être utilisés.
- Le réservoir d'alimentation de gaz PL doit être construit et marqué en conformité aux spécifications pour le gaz PL, des réservoirs de gaz PL du U.S. Department of Transportation (DOT) ou du National Standard of Canada, CAN/CSA-B339, LP gas tanks, Spheres and Tubes for the Transportation of Dangerous Goods; and Commission.
- Le réservoir de gaz PL doit être muni d'une sortie de vapeur.
- Le réservoir de gaz PL doit être muni d'un dispositif de trop-plein (OPD) enregistré et d'un QCCI ou d'un raccord de réservoir pour gaz PL de Type 1 (CGA810).
- Le réservoir de gaz PL doit être muni d'un collier d'évent pour protéger la soupape du réservoir.
- La bouteille de gaz PL doit être munie d'une soupape d'arrêt tel qu'il est spécifié dans le Standard for Compressed Gas Cylinder Valve Outlet and Inlet Connection, ANSI/CGA-V-1-1977, CSA B96.
- Ne jamais utiliser un réservoir de gaz PL avec une soupape, un collet, une surface ou un socle endommagés. Les réservoirs de propane bosselés ou rouillés peuvent être dangereux et devraient être vérifiés par votre fournisseur de gaz propane avant d'être utilisés.
- Les réservoirs de gaz PL ne devraient pas faire l'objet de chute ou être soumis à des chocs brusques.
- Les réservoirs doivent être entreposés à l'extérieur hors de la portée des enfants. Ne PAS entreposer dans un immeuble, un garage ou tout autre endroit fermé.
- Ne jamais entreposer votre réservoir de gaz PL où la température peut atteindre au-delà de 125 °F (51,67 °C).
- Ne pas entreposer une bouteille de gaz PL au soleil direct ou près d'une source de chaleur ou de combustion.
- Ne jamais garder un réservoir plein de gaz PL dans une voiture exposée à la chaleur ou dans le coffre d'une voiture. La chaleur fera augmenter la pression du gaz qui pourrait ouvrir la soupape de surpression et laisser le gaz s'échapper.
- Mettre un bouchon protecteur sur le conduit d'évacuation quand le réservoir de gaz PL n'est pas en usage. Installer seulement le type de bouchon protecteur sur le conduit d'évacuation du réservoir de gaz PL qui est fourni avec la soupape du réservoir à gaz PL. Les autres types de bouchons ou de capuchons peuvent occasionner des fuites de propane.
 - a. Ne pas entreposer une bouteille de gaz PL de rechange sous ou près de l'appareil.
 - b. Ne jamais remplir une bouteille de gaz PL au-delà de 80 %.
 - c. Si les informations contenues dans a. et b. ne sont pas suivies scrupuleusement, cette négligence peut occasionner un incendie causant la mort ou des blessures sérieuses.
- Les bouteilles de gaz PL ne devraient être remplies que par un fournisseur de gaz PL accrédité.
- Le régulateur de pression est réglé à 11 pouces (27,94 cm) de colonne d'eau (pression).
- Le maximum de pression de gaz pour cette table-foyer extérieure est de 14 pouces (35,56 cm) de colonne d'eau (pression).
- Ne jamais tenter de fixer cet appareil au système autonome de gaz PL d'une fourgonnette de camping, d'une autocaravane ou d'une maison.
- Toujours utiliser l'assemblage de régulateur de pression et de tuyau inclus avec l'appareil pour raccorder la bouteille de gaz PL. Ne jamais connecter à une alimentation en gaz PL non conforme. Pour une assistance technique, contacter Real Flame au 1 800-654-1704.
- Tourner à la main la soupape de contrôle du gaz. Ne jamais utiliser d'outils. Si la soupape ne tourne pas à la main, ne pas tenter de la réparer. Contacter un technicien de gaz accrédité. L'usage de la force ou toute autre tentative de réparation par vous-même peuvent produire un incendie ou une explosion.

Avertissements Concernant Le Gaz PL

Brancher votre bouteille de gaz

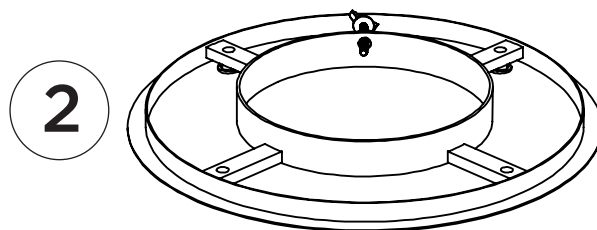
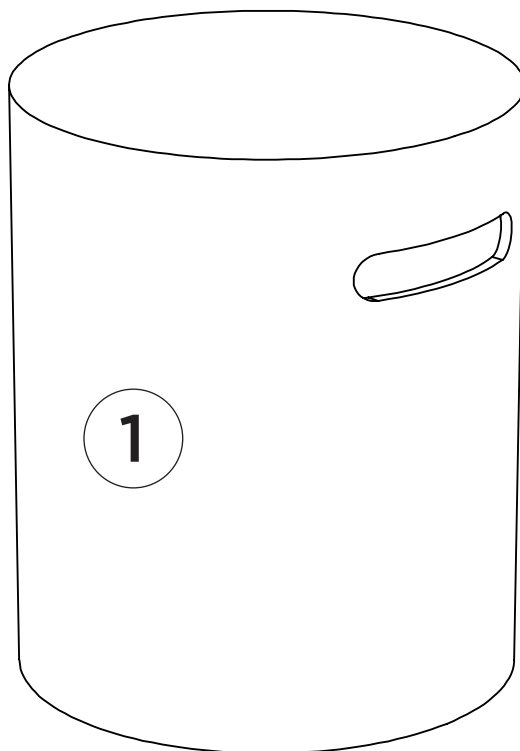
Avant de brancher la bouteille, vous assurer de l'absence de débris dans la tête de la bouteille de gaz, dans la tête de la soupape de régulation ou dans la tête du brûleur ou sur les orifices du brûleur. Brancher la soupape de régulation et serrer fermement à la main. Débrancher la bouteille de propane de la soupape de régulation quand la table-foyer n'est pas en usage. NE PAS obstruer la circulation de la combustion de l'air et de la ventilation autour du brûleur.

Remplacement Et Assemblage Du Tuyau Et Du Régulateur

1. Ce foyer est équipé d'un tuyau et d'un régulateur de gaz PL standard incluant le raccord latéral de l'appareil pour un dispositif de raccord de bouteille CGA No 791. Vous devez utiliser le tuyau et le régulateur de gaz PL inclus avec la table-foyer. Seuls un tuyau et un régulateur recommandés peuvent être utilisés comme remplacement.
 - a. Le raccord CGA No 791 renferme un dispositif de limitation électromagnétique qui agit en limitant le débit de gaz si une fuite est détectée entre le régulateur et la soupape du brûleur.
 - b. Si la soupape du brûleur est ouverte avant le clapet de service de la bouteille de gaz PL, le raccord interprètera ce débit libre de gaz comme une fuite.
 - c. L'objectif du raccord de sécurité est de réduire le débit de gaz du régulateur vers l'appareil à un niveau minimal.
 - d. Vous assurer que la soupape de contrôle du brûleur est fermée avant d'ouvrir le clapet de service de la bouteille de gaz PL ce qui empêchera le déclenchement accidentel du dispositif de limitation de débit.
 - e. Si le raccord du dispositif de limitation de débit est déclenché accidentellement, fermer le clapet de service de la bouteille de gaz PL et la soupape du brûleur, attendre 10 secondes pour permettre au dispositif de redémarrer, ouvrir le clapet de service de la bouteille, ensuite ouvrir la soupape du brûleur et allumer le foyer selon les instructions d'allumage.
2. Vous assurer de protéger le tuyau de toutes surfaces chaudes. Il est très dangereux de mettre le tuyau en contact avec des surfaces chaudes.
3. Entretien régulier du tuyau et du régulateur:
 - a. Inspecter le tuyau avant chaque utilisation de la table-foyer. Si le tuyau montre des signes d'abrasion, de craquelures, de fissures ou de dommages de quelques sortes, ne pas utiliser l'appareil. Pour toute assistance concernant la réparation ou le remplacement du tuyau, contacter Real Flame au 1 800-654-1704. Utiliser uniquement les pièces de remplacement proposées par le fabricant.
 - b. Inspecter le sceau à l'intérieur du clapet de service CGA No 791 de la bouteille de gaz PL lors du remplacement ou au moins une fois par année. S'il y a évidence de dommage, faire remplacer le sceau par un fournisseur de gaz accrédité avant d'utiliser l'appareil.
4. Ne pas utiliser d'outil pour resserrer l'écrou de raccord du CGA No 791 sur le clapet de service de la bouteille de gaz PL. Resserrer à la main seulement.
5. Vous assurer de ne pas croiser les fils sur le raccord en resserrant le raccord CGA No 791 sur le clapet de service de la bouteille de gaz PL.
6. Des « essais d'étanchéité » devraient toujours être faits après avoir fixé le raccord au clapet de service de la bouteille gaz PL. (voir la partie « Vérification des fuites » de ce manuel à la page 10).
7. Pour ce qui concerne le raccord du tuyau et du régulateur au réservoir PL, vous reporter à la partie ci-haut « Raccord » traitant de la bouteille de gaz PL.

LISTE DES PIÈCES

- | | | |
|---|---------------------------|----------|
| ① | Couvre-réservoir | 1 |
| | Blanc Antique | 06161300 |
| | Gris Silex | 06164800 |
| ② | Base-support du réservoir | 1 |
| ③ | Pieds | 4 |



Avant chaque opération de table-foyer gaz, vérifiez que le tuyau et la vanne des preuves de l'abrasion ou d'usure excessive. Si des pièces semblent être endommagées flamme appel réel au 1-800-654-1704 avant de l'utiliser.

⚠ AVERTISSEMENT Avant d'utiliser la table-foyer extérieure, vous assurer d'avoir lu, compris et suivi toutes les informations fournies dans la partie « Importante information de sécurité » de ce manuel. La négligence à suivre ces instructions peut occasionner des blessures sérieuses, des dommages à la propriété et même la mort.

VÉRIFICATION DES FUITES

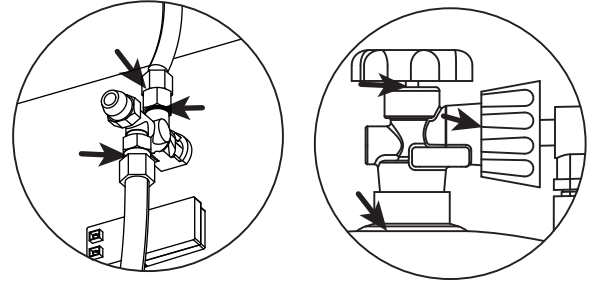
Faire une solution pour détection de fuite en mélangeant 1 partie de savon à vaisselle à 3 parties d'eau dans un flacon de pulvérisation.

Vous assurer que le bouton de contrôle est en position « OFF ». Ensuite, tourner la soupape du réservoir à gaz PL en position « ON ».

Vaporiser la solution de détection de fuite sur les raccords de la soupape en portant une attention particulière aux endroits marqués par des flèches.

Si des bulles apparaissent, REFERMER le réservoir de gaz PL, raccorder de nouveau et refaire le test. Si vous voyez toujours des bulles après plusieurs tentatives, débrancher l'alimentation en gaz PL et contacter Real Flame® au 1 800-654-1704 pour assistance.

Si aucune bulle n'apparaît après une minute, REFERMER le réservoir, essayer la solution savonneuse et poursuivre la mise en marche.



Vérifier les fuites à ces endroits précis

⚠ AVERTISSEMENT

- Ne pas utiliser une flamme nue pour vérifier les fuites.
- Ne pas fumer while tester l'appareil.
- Ne jamais tester les appareil à l'intérieur.
- Des détections de fuites devraient être faites chaque fois que la bouteille de gaz est remplacée.

l'inspection

Cette table-foyer extérieure doit être inspectée régulièrement pour vous assurer de sa sécurité et pour prolonger sa durée de vie.

⚠ AVERTISSEMENT NE PAS faire l'inspection de ce foyer extérieur avant qu'il ne soit COMPLÈTEMENT éteint.

1. Vérifier le brûleur en vous assurant qu'il est en place de façon sécuritaire.
2. Vérifier le tube de venturi (diffuseur) en vous assurant qu'il est libre d'insectes, de nids d'araignée ou d'autres débris.
3. Vérifier tous les raccords de gaz en portant attention aux fuites.
4. Vérifier le système d'allumage en vous assurant de la production d'étincelles.
5. Vérifier toutes les composantes, vous assurant de la présence d'aucune usure excessive, d'aucun dommage ou de rouille.
6. Si vous observez des dommages, NE PAS utiliser jusqu'à ce que les réparations soient effectuées.

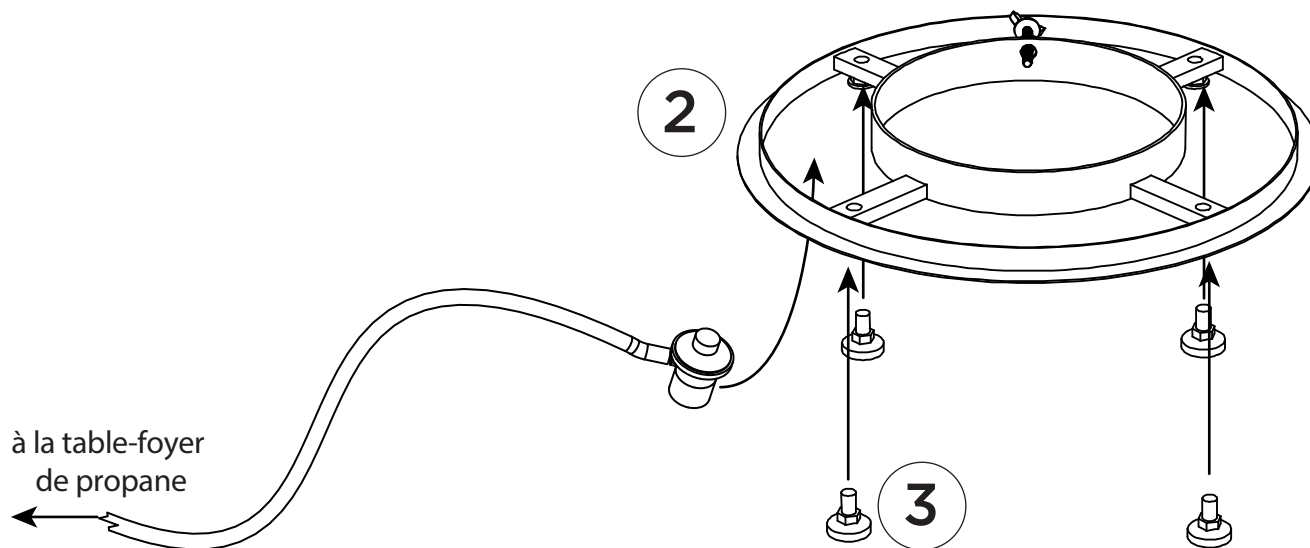
⚠ AVERTISSEMENT NE PAS altérer ou modifier cet appareil. Cela serait très DANGEREUX et annulerait la garantie. Toute pièce qui doit être changée doit être remplacée par une pièce approuvée et confirmée par le fabricant. Pour l'assistance technique, contacter Real Flame au 1 800-654-1704.

Instructions Pour L'assemblage

2

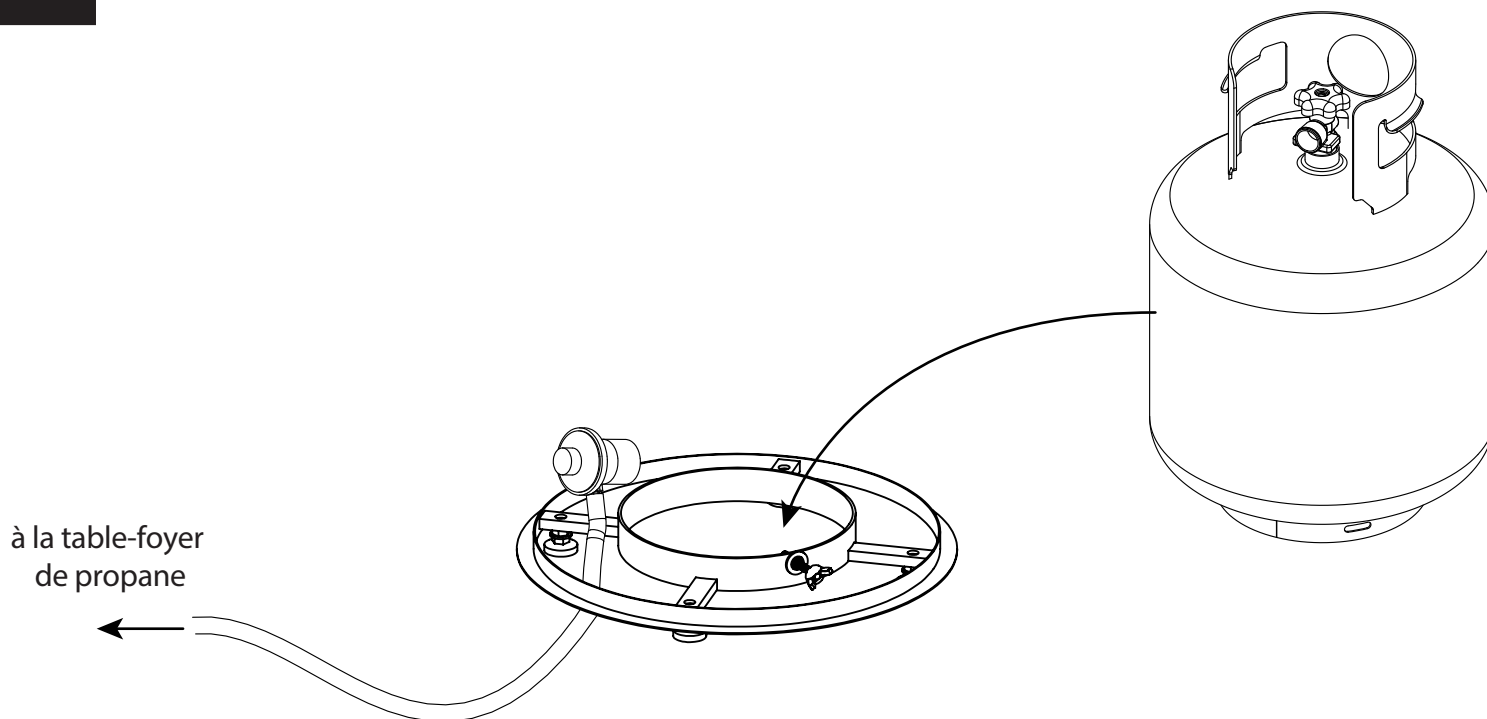
Visser les pieds (3) sur la base (2).

Introduire l'extrémité du tuyau de raccord du réservoir de propane à travers le bas de la base-support du réservoir (2). Vous assurer de ne pas introduire le tuyau à travers le centre de la base (là où le réservoir reposera).



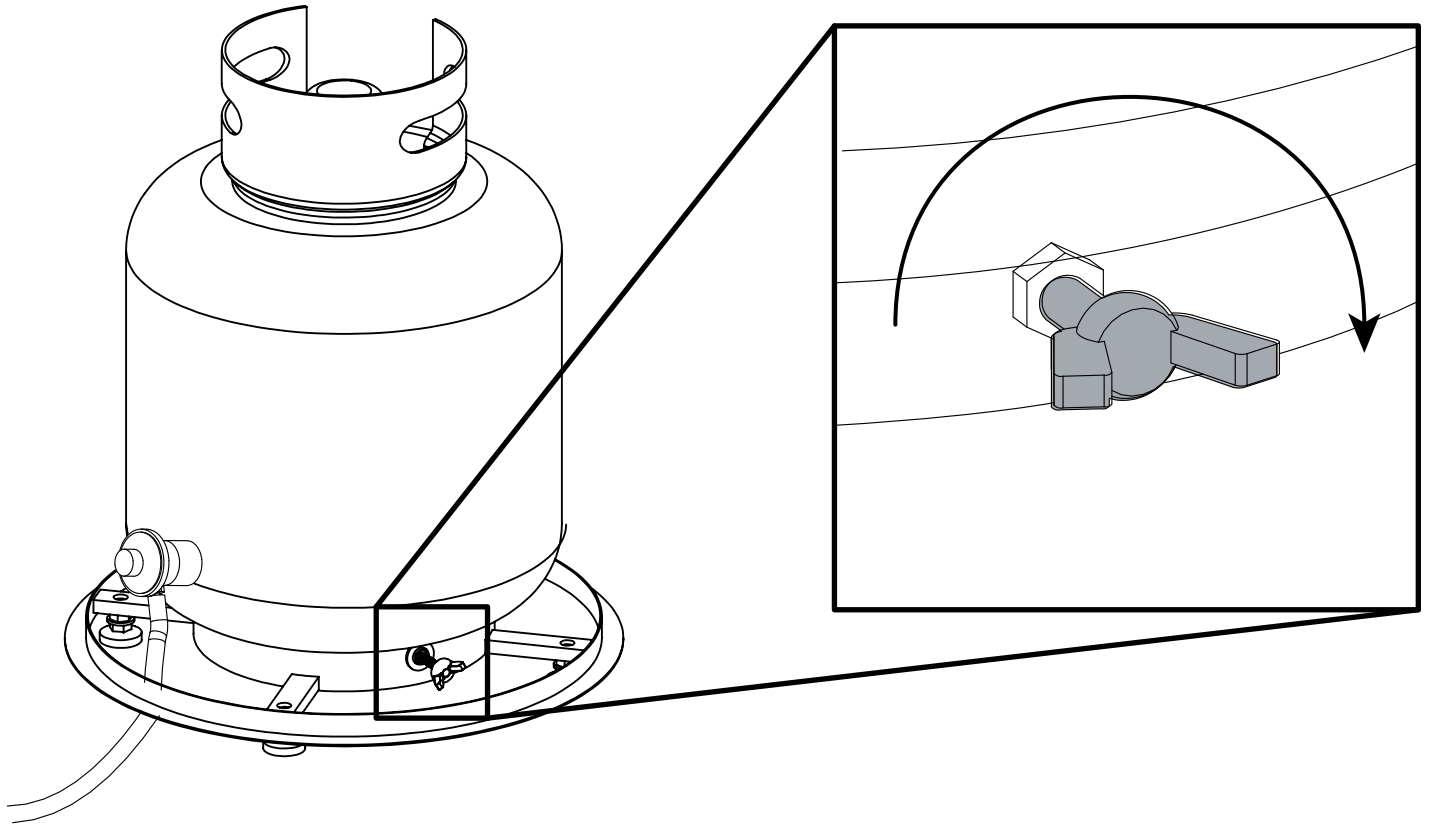
3

Mettre le réservoir de propane dans la base.



Mettre le réservoir de propane dans la base et fixer bien en place le réservoir en serrant la vis au bas de la base.

4

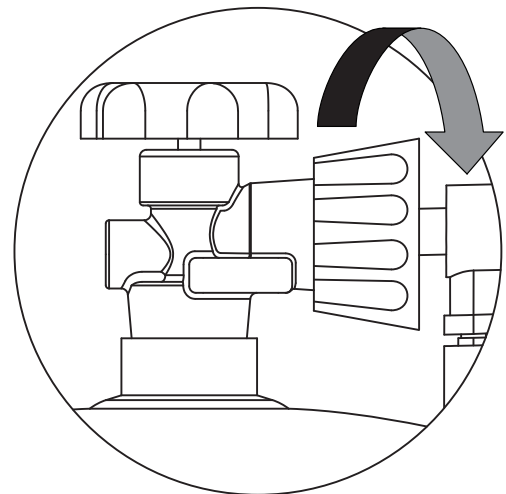


5

Raccord du réservoir de gaz PL

Vous assurer de l'absence de débris dans la tête du réservoir ou dans la tête de la soupape de régulation. Bien vérifier le brûleur ainsi que les orifices du brûleur.

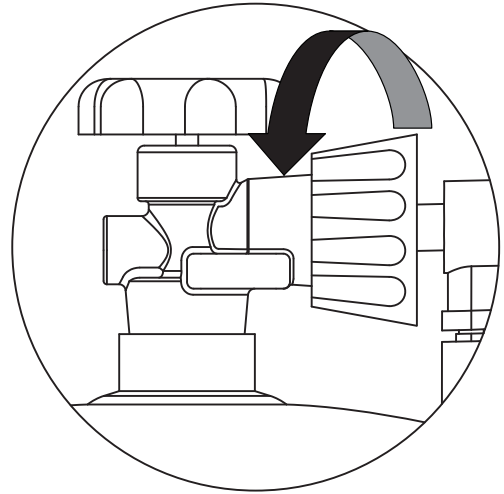
Raccorder la conduite de gaz au réservoir en tournant le bouton dans le sens des aiguilles d'une montre. Resserrer à la main seulement.



Raccord du réservoir de gaz PL

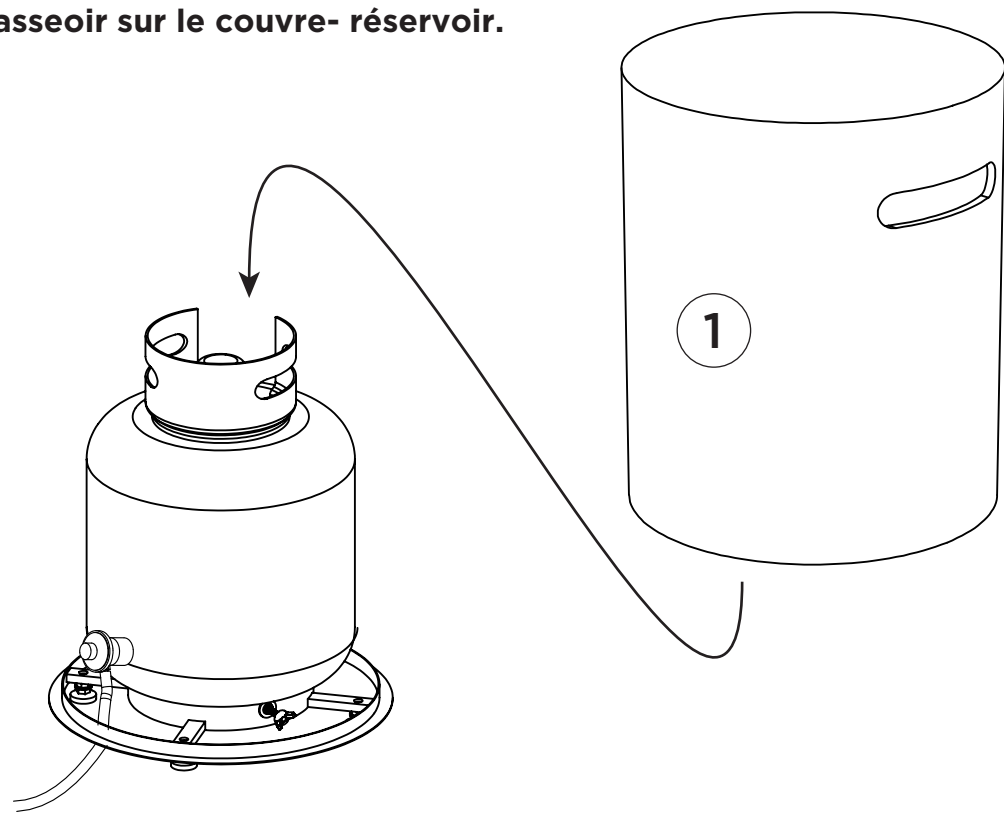
Vous assurer que la soupape sur le réservoir de gaz PL est FERMÉE.

Débrancher en tournant le bouton dans le sens contraire des aiguilles d'une montre jusqu'à ce qu'il se détache de la soupape.



Avec le réservoir de propane bien en place et le tuyau régulateur branché, mettre le couvre-réservoir (1) sur la base (2).

— **Ne pas s'asseoir sur le couvre- réservoir.**



à la table-foyer
de propane ←

Nettoyage

Ce foyer pour l'extérieur devrait être nettoyé régulièrement pour vous assurer de sa sécurité et pour prolonger sa durée de vie.

AVERTISSEMENT

NE PAS tenter de nettoyer ce foyer extérieur à moins que le feu est complètement éteint et l'appareil est froid au toucher.

AVERTISSEMENT

NE PAS utiliser de nettoyeurs à four propres ou abrasifs car ils peuvent endommager ce produit.

Essuyer les surfaces externes avec un chiffon imbibé d'eau savonneuse ou du bicarbonate de soude et rincer avec une eau propre.

Stockage

AVERTISSEMENT

NE PAS déplacer ou entreposer cette table-foyer tant que le feu ne soit **COMPLÈTEMENT** éteint et que la table soit froide au toucher.

FERMER l'alimentation en gaz à partir du raccord du réservoir. Retirer le réservoir et l'entreposer dans un endroit frais et sec à l'extérieur et hors de portée des enfants.

GARANTIE DE REAL FLAME ET POLITIQUE DE RETOUR

Garantie

La compagnie Real Flame® garantit les foyers à gaz Real Flame et ses accessoires sont exempts de défauts de pièces sous une utilisation normale pour une période de 1 an à compter de la date d'achat et défectueux de problèmes de finition pour une période de 90 jours à compter de la date d'achat . Dans l'éventualité de défectuosité. Real Flame remplacera, selon sa convenance, le produit défectueux ou procédera au remboursement du coût d'achat. Les présentes constituent le seul recours et Real Flame ne reconnaît aucune autre garantie que ce soit, incluant les garanties implicites de la qualité marchande ou d'adaptation à un usage particulier. De plus, Real Flame ne se tient aucunement responsable des dommages consécutifs à un usage abusif où lesdits dommages représenteraient une valeur supérieure au coût du produit sur lequel cette responsabilité tient place. Les foyers électriques offrent une garantie d'un an sur la chambre de combustion électrique seulement.

Politique de retour

Vous pouvez retourner votre produit dans les 90 jours suivant sa réception. Aucun remboursement ne sera accordé pour les retours non autorisés ou incomplets. Tous les produits retournés doivent être complets à 100 %, emballés adéquatement dans leur emballage original et dans une bonne condition de revente. Les produits qui ont été assemblés ou modifiés ne seront pas admissibles à un retour. Tous les articles doivent être retournés dans leur entièreté, ce qui veut dire que tous les éléments inclus doivent être retournés ensemble. Il n'y a aucun retour ou échange pour les articles qui ne sont plus sur le marché. Veuillez entreprendre les procédures de retour de marchandise en contactant premièrement le détaillant ou la compagnie où vous vous êtes procuré l'article Real Flame.

Pièces de rechange

Si une pièce était perdue ou endommagée soit par le manufacturier ou lors de l'expédition, vous pouvez demander un remplacement. Les pièces de rechange ne sont pas offertes pour tous les articles et ne sont données qu'à la discrétion de Real Flame. Nous estimerons chacun des dommages et trouverons une solution, pouvant inclure l'envoi d'un remplacement et la commande d'un nouvel article. Aucun remplacement n'est possible pour les articles qui ne sont plus sur le marché ou pour les articles réemballés (boîte ouverte). Avant de retourner les articles endommagés, veuillez contacter le service à la clientèle de Real Flame au 1 800 654-1704 pour des pièces de rechange. Avant de contacter le service à la clientèle, ayez en main les informations suivantes, se trouvant dans votre manuel d'instructions :

- Le numéro du produit
- Le numéro de la pièce de 4 à 8 chiffres
- Le numéro de code de lot
- L'adresse d'expédition
- Une photo de l'article endommagé peut être demandée. Les photos devront être envoyées à custserv@realflame.com

Réception de commande irrégulière

Si vous recevez un article différent que celui que vous avez commandé, veuillez contacter le service à la clientèle de Real Flame au 1 800 654-1704 dans les 48 heures suivant la réception de la marchandise.

Veuillez consulter le www.Realflame.com pour une vue complète de nos directives et de nos politiques de retour de marchandise.

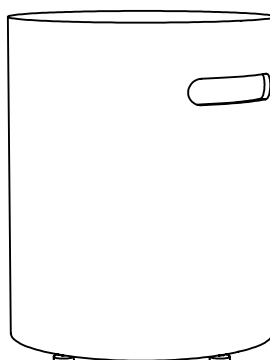
Real Flame®
7800 Northwestern Ave.
Racine, WI 53403

Customer Service: 1-800-654-1704 in USA
Service à la clientèle: 1-800-363-6443 in Canada
custserv@realflame.com



realflame®

fireplaces



616

Cubierta del tanque de propano Baltic

⚠ IMPORTANTE

LEA ESTE MANUAL ANTES
DE USAR EL PRODUCTO
CONSERVE ESTAS
INSTRUCCIONES

⚠ ADVERTENCIA

Únicamente para uso al aire libre.
NO lo utilice para cocinar.
NO lo utilice debajo de
una estructura

⚠ ADVERTENCIA

- ▲ Si no sigue con precisión la información que se brinda en este manual, podría provocar un incendio o una explosión y causar daños a la propiedad, lesiones personales o la muerte.
- ▲ Lea las instrucciones de instalación, operación y mantenimiento atentamente antes de instalar o brindar servicio a este equipo.
- ▲ La instalación y el servicio deben estar a cargo de un instalador, una agencia de servicio o un proveedor de gas calificado.
- ▲ Conserve estas instrucciones para consultarlas en el futuro. Si está armando esta unidad para otra persona, entréguele el manual para que lo lea y lo conserve para consultarlo en el futuro.
- ▲ Si no realiza la instalación, el ajuste, la alteración, el servicio o el mantenimiento de manera adecuada, puede provocar lesiones o daños a la propiedad.



Diseño certificado bajo norma
ANSI Z21.97-2010

Norma para artefactos de gas decorativos
para exterior y CGA CR97-003 Requisitos
para hogares a gas para exterior

⚠ PELIGRO

Si siente olor a gas:

1. Corte el suministro de gas al artefacto.
2. Apague cualquier llama abierta.
3. Si el olor continúa, aléjese del artefacto y comuníquese inmediatamente con su proveedor de gas o con los bomberos.

⚠ ADVERTENCIA

No almacene ni utilice gasolina u otros líquidos y vapores inflamables cerca de este o de cualquier otro artefacto.

Los cilindros de propano líquido que no están conectados para ser utilizados no se deben conservar cerca de este u otros artefactos.

ÍNDICE

| | |
|--|----|
| Información importante de seguridad | 3 |
| Peligros y advertencias sobre el propano líquido | 5 |
| Armado y reemplazo de la manguera y el regulador | 7 |
| Lista de piezas | 8 |
| Instrucciones antes del uso | 9 |
| Instrucciones de ensamblaje | 10 |
| Cuidado y mantenimiento | 13 |
| Garantía | 14 |

PELIGRO

PELIGRO DE MONÓXIDO DE CARBONO

Este artefacto puede producir monóxido de carbono, que es un gas inodoro.

Si utiliza este equipo en un lugar cerrado, puede provocarle la muerte.

Nunca use este equipo en un lugar cerrado, como un cámper, una carpa, un automóvil o una casa.



ESPECIFICACIONES

Nombre de producto

Cubierta del tanque de propano Baltic

Tipo de gas

Propano (PL)

n° de modelo

670

Suministro de gas

20 lb LP-Gas Cylinder

Generación de calor nominal

N/A

INFORMACIÓN IMPORTANTE DE SEGURIDAD

 **ADVERTENCIA** LA COLUMNA DE FUEGO ES PARA USO ÚNICAMENTE AL AIRE LIBRE

- **ADVERTENCIA** Si no sigue las indicaciones de peligro, advertencia y precaución que se incluyen en este manual, podría sufrir lesiones graves o la muerte, o podría provocar un incendio o una explosión, con los consiguientes daños a la propiedad.
- **ADVERTENCIA** Si no sigue las indicaciones de peligro, advertencia y precaución que se incluyen en este manual, podría sufrir lesiones graves o la muerte, o podría provocar un incendio o una explosión, con los consiguientes daños a la propiedad.
- **NOTA** El uso y la instalación de este producto se debe realizar en conformidad con los códigos locales. Si no conoce los códigos locales, utilice el Código de Gas combustible nacional, ANSI Z21.97 o consulte el Código de instalación de propano y gas natural CSAB149.1 o el Código de Almacenamiento y manipulación de propano B149.2.
- **Distancia mínima entre la unidad y los materiales combustibles**
72 pulg. (182,9 cm) en la parte superior; 48 pulg. (121,9 cm) en los costados y la parte posterior. No coloque esta columna de fuego debajo de una estructura.

SI SIENTE OLOR A GAS

- Corte el suministro de gas a la columna de fuego.
- Apague cualquier llama abierta.
- No intente encender ningún artefacto.
- No toque ningún interruptor eléctrico; tampoco use los teléfonos del lugar.
- Comuníquese inmediatamente con el proveedor de gas desde el teléfono de un vecino.
- Siga las instrucciones del proveedor de gas.
- Si no puede comunicarse con el proveedor de gas, llame a los bomberos.
- Los niños deben recibir información acerca de los peligros de las temperaturas elevadas en la superficie y deben permanecer a una distancia segura cuando la columna de fuego está siendo utilizada.
- Esta columna de fuego para exterior NO debe ser utilizada por niños. Los niños pequeños deben ser supervisados cuando se encuentren cerca de esta columna de fuego.
- NO cuelgue ni coloque prendas de vestir u otros materiales inflamables cerca de la columna de fuego a gas o sobre ella.
- Si se retira una cubierta u otro dispositivo de protección para brindar servicio a la columna de fuego, debe volver a colocarlo antes de volver a usarla.
- Conserve estas instrucciones para consultarlas en el futuro. Si está armando esta unidad para otra persona, entréguele el manual para que lo lea y lo conserve para consultarlo en el futuro.
- No use este aparato para cocinar.
- NO utilice esta columna de fuego para exterior si alguna de sus piezas ha estado debajo del agua. Comuníquese inmediatamente con un técnico de servicio calificado para que inspeccione la columna de fuego y reemplace cualquier pieza, sistema de control o control de gas que haya estado bajo el agua.
- Esta mesa de fuego a gas y su válvula de seguridad individual se deben desconectar del sistema de abastecimiento de gas si se realizan pruebas en el sistema con una presión superior a 1/2 psi (3,5 kPa). Este artefacto se debe desconectar del sistema de abastecimiento de gas cerrando la válvula de seguridad manual individual si se realizan pruebas en el sistema con una presión igual o inferior a 1/2 psi (3,5 kPa).

INFORMACIÓN IMPORTANTE DE SEGURIDAD

- Esta columna de fuego a gas se debe utilizar ÚNICAMENTE al aire libre, en un espacio correctamente ventilado y NO se debe utilizar dentro de un edificio, un garaje o cualquier otro lugar cerrado.
- NO utilice la columna de fuego a gas para exterior para calefaccionar un ambiente interior. Podrían acumularse gases TÓXICOS de monóxido de carbono y provocarle asfixia.
- NUNCA DEJE esta columna de fuego a gas sin supervisión durante su uso.
- No almacene ni utilice gasolina u otros líquidos y vapores inflamables dentro de un radio de 25 pies (7,62 m) de este o de cualquier otro artefacto.
- No almacene ningún material combustible en el gabinete de la base.
- Nunca utilice una llama para verificar pérdidas de gas.
- El consumo de alcohol, medicamentos recetados o no recetados puede alterar la capacidad de una persona para armar u operar de manera segura esta columna de fuego.
- NO utilice este equipo en una atmósfera con riesgo de explosión. Mantenga la zona en la que se encuentra la columna despejada y sin materiales combustibles, gasolina u otros líquidos y vapores inflamables.
- Esta columna de fuego para exterior no se debe instalar en embarcaciones o vehículos recreativos.
- Utilícela siempre en conformidad con todos los códigos nacionales, estatales y locales aplicables. Comuníquese con el departamento de bomberos local para obtener información detallada sobre los fuegos al aire libre.
- Al utilizar esta columna de fuego para exterior, tome las mismas precauciones que tomaría con una llama abierta.
- NO queme en esta columna de fuego combustibles sólidos como los siguientes: madera, briquetas de carbón, carbón, leños fabricados, tablones, basura, hojas, papel, cartón, aglomerado, madera pintada, teñida o con tratamiento a presión.
- NO utilice esta columna de fuego para exterior hasta que esté COMPLETAMENTE armada y todas las piezas estén firmemente sujetas y ajustadas.
- NO almacene otro tanque de gas propano líquido dentro de un radio de 10 pies (3,05 m) de esta columna de fuego para exterior mientras se encuentre encendida.
- NO utilice esta columna de fuego para exterior cerca de automóviles, camiones, camionetas o vehículos recreativos.
- NO utilice esta columna de fuego debajo de ninguna estructura ni cerca de construcciones combustibles que no estén protegidas. Evite utilizarla cerca o debajo de árboles o arbustos.
- Utilice siempre esta columna de fuego para exterior sobre una superficie dura, nivelada y no combustible, como concreto, roca o piedra. Es posible que no resulte aceptable una superficie recubierta con asfalto.
- NO utilice vestimenta inflamable u holgada al operar esta columna de fuego para exterior.
- NO la utilice cuando haya viento
- Mantenga todos los cables eléctricos alejados de una columna de fuego para exterior.
- Algunas zonas de esta columna de fuego para exterior pueden calentarse durante el uso. No toque las superficies calientes hasta que se haya enfriado la unidad, a menos que esté usando equipo de protección, como sujetadores aislados o guantes resistentes al calor, a fin de evitar las quemaduras.
- NO intente mover ni almacenar esta columna de fuego hasta que todas las piezas estén frías.
- NO se incline sobre esta columna de fuego al encenderla o durante su uso.
- Utilice únicamente el conjunto de manguera y regulador que recibió con este equipo. El conjunto de manguera y regulador de reemplazo debe ser el especificado por el fabricante.
- NO intente desconectar el regulador de gas ni ningún otro accesorio del tanque mientras la columna de fuego para exterior se encuentre en uso.
- Desconecte siempre el tanque de propano cuando no esté utilizando la unidad.
- NO se siente ni se incline sobre esta columna de fuego durante su uso.
- No se tira nada al fuego cuando la unidad está en funcionamiento.

INFORMACIÓN IMPORTANTE DE SEGURIDAD

- Las piedras volcánicas levantan mucha temperatura, mantenga a los niños y las mascotas a una distancia segura.
- Es fundamental que conserve la limpieza del compartimiento de la válvula, el quemador y los pasajes para la circulación de aire de la columna de fuego para exterior. Inspeccione la columna de fuego antes de cada uso.
- Antes de poner en funcionamiento la columna de fuego, mire a través del panel de acceso y verifique los componentes del quemador para ver si hay mucha abrasión o desgaste. Si alguna de estas piezas está dañada, debe reemplazarla antes de utilizar la columna de fuego a gas. Comuníquese con Real Flame al 1-800-654-1704
- Antes de cada uso, retire las rocas volcánicas. Examine el quemador y sus componentes. Si están sucios, límpielos con un cepillo blando y una solución de agua y jabón. Examine la zona que rodea al quemador y retire cualquier suciedad o material extraño, como telas de araña o nidos de esta zona. Si es evidente que el quemador está dañado, no debe utilizar la columna de fuego. El conjunto del quemador no se puede reemplazar. Comuníquese con Real Flame al 1-800-654-1704 para solicitar soporte técnico.
- Coloque la manguera alejada de los lugares de paso en los que alguna persona podría tropezarse. No coloque la manguera en las zonas en las que pueda sufrir un daño accidental

ADVERTENCIA

Esta columna de fuego para exterior es para utilizar únicamente con gas propano líquido. La conversión o el intento de usar esta columna de fuego para exterior con gas natural constituye un peligro y podría causar lesiones graves o daños a la propiedad.

PELIGROS Y ADVERTENCIAS SOBRE EL PROPANO LÍQUIDO

GAS PROPANO LÍQUIDO

El gas propano líquido es inflamable y peligroso si no se manipula de manera adecuada. Debe conocer las características antes de utilizar cualquier producto de gas de propano líquido.

Características del propano

- Inflamable, explosivo bajo presión, más pesado que el aire y se asienta en zonas bajas.
- En su estado natural, el propano no tiene olor. Para su seguridad, se ha agregado olor.
- El contacto con el propano puede provocar quemaduras en la piel.
- El propano es sumamente inflamable y peligroso si se manipula incorrectamente.

ADVERTENCIAS DEL GAS PROPANO LÍQUIDO

- Los cilindros se deben almacenar al aire libre en una zona bien ventilada, lejos del alcance de los niños.
- Los cilindros que no están conectados deben tener los tapones de las válvulas instalados y ajustados y no se deben almacenar en edificios, garajes u otros lugares cerrados.
- Nunca utilice un cilindro de propano si tiene el cuerpo, la válvula, el cuello o la base dañados.
- Los cilindros de propano con abolladuras u oxidados pueden resultar peligrosos y es necesario que el proveedor de gas propano los controle.
- Asegúrese de utilizar únicamente un cilindro de gas propano de 1 libra (465 g) en este artefacto. El tanque de gas propano debe contar con un dispositivo para prevenir el llenado excesivo y un QCCI o una conexión Tipo I (CGA810).
- Sólo se pueden utilizar tanques con la etiqueta de “propano”
- El tanque de abastecimiento de gas propano líquido debe estar construido e identificado en conformidad con las Especificaciones para tanques de gas propano líquido del Departamento de Transporte de los Estados Unidos (DOT) o las Normas nacionales de Canadá, CAN/CSA-B339, para el transporte de tanques, tubos y esferas de gas propano.

PELIGROS Y ADVERTENCIAS SOBRE EL PROPANO LÍQUIDO

- Los tanques de gas propano deben contar con una manera de eliminar los vapores.
- El tanque de gas propano debe contar con un dispositivo para prevenir el llenado excesivo y un QCCI o una conexión Tipo I (CGA810).
- El cilindro de gas propano líquido debe contener una válvula de seguridad, en conformidad con las especificaciones de la Norma de Conexión de entrada y salida de la válvula de cilindros de gas comprimido, ANSI/CGA-V-1-1977, CSA B96.
- Nunca utilice un tanque de gas propano si tiene el cuerpo, la válvula, el cuello o la base dañados. Los tanques de gas propano con abolladuras u oxidados pueden resultar peligrosos y es necesario que el proveedor de gas propano los controle antes de su uso.
- Cuide de no dejar caer el tanque de gas propano líquido y manipúlelo con cuidado.
- Los tanques se deben almacenar al aire libre y lejos del alcance de los niños. NO los almacene en un edificio, un garaje o cualquier otro lugar cerrado.
- Nunca almacene su tanque de gas propano en lugares con temperaturas superiores a 125 °F (52 °C).
- No almacene los cilindros de gas propano en lugares con luz solar directa ni cerca de una fuente de calor o combustión.
- Nunca conserve un tanque de gas de propano en un automóvil caliente ni en el baúl de un automóvil. El calor incrementará la presión del gas y esto podría abrir la válvula de escape y permitir la salida del gas.
- Coloque la tapa sobre la salida de la válvula cuando el tanque de gas propano no esté siendo utilizado. Instale únicamente una tapa que haya sido provista junto con la válvula del tanque de gas propano. Si utiliza otro tipo de tapa o tapón, podría haber filtraciones de propano.
 - a. No almacene un cilindro de gas propano de repuesto debajo de este equipo o cerca de él.
 - b. Nunca llene un cilindro de gas propano por encima del 80% de su capacidad.
 - c. Si no respeta las indicaciones de los puntos (a) y (b) podría provocar un incendio que derive en lesiones graves o la muerte.
- Los cilindros de gas propano solo deben ser llenados por un distribuidor de gas propano certificado.
- El regulador de presión está ajustado en 11 pulgadas de columna de agua (presión).
- La presión de gas de entrada máxima para este equipo es de 14 pulgadas de columna de agua (presión).
- Nunca intente conectar este equipo a un sistema de gas propano autónomo de un cámper, una casa rodante o una casa.
- Utilice siempre el conjunto de manguera y regulador de presión que recibió con el equipo para conectar el cilindro de gas propano. Nunca conecte este equipo a un suministro de gas propano sin regular. Comuníquese con Real Flame al 1-800-654-1704 para solicitar soporte técnico.
- Ajuste el tanque de gas de 1 libra a mano. Nunca utilice herramientas. Si el tanque no se abre o cierra a mano, no intente repararlo. Comuníquese con un Técnico gasista certificado. Si lo fuerza o intenta repararlo por su cuenta, podría provocar un incendio o una explosión.

Conexión del cilindro de gas:

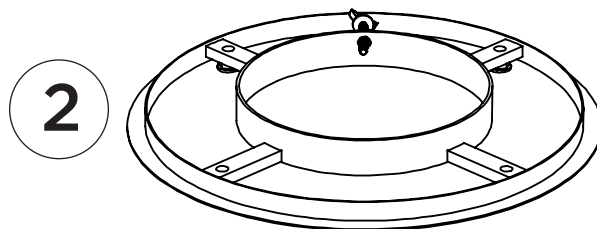
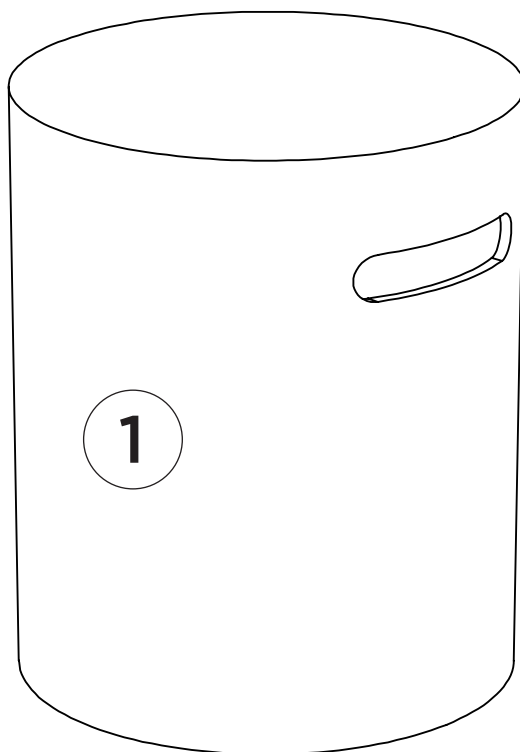
Antes de conectarlo, asegúrese de que no haya basura en el cabezal del cilindro de gas, la válvula reguladora, el quemador o los orificios del quemador. Conecte el tornillo en el tanque de 1 libra de gas propano y ajústelo manualmente. Desconecte siempre el cilindro de propano cuando no esté utilizando la unidad. NO obstruya el flujo de aire de combustión o de ventilación hacia el quemador.

ARMADO Y REEMPLAZO DE LA MANGUERA Y EL REGULADOR

- 1.** Este hogar viene equipado con una manguera y un regulador de gas LP estándar, que incluye la conexión lateral del artefacto a un Dispositivo de conexión de cilindros CGA Núm. 791. Debe utilizar la manguera y el regulador de gas LP que recibió con esta mesa de fuego. Si es necesario reemplazar la manguera y el regulador, utilice únicamente los especificados por el fabricante.
 - a.** La conexión CGA Núm. 791 incorpora un dispositivo limitador de flujo que actúa como un limitador del flujo de gas en caso de que se detecte una pérdida entre el regulador y la válvula del quemador.
 - b.** Si la válvula del quemador se abre antes de abrir la válvula de servicio del cilindro de gas LP, la conexión considerará el libre flujo de gas como una pérdida.
 - c.** La función de seguridad de la conexión reducirá el flujo de gas desde el regulador hasta el artefacto a un nivel mínimo.
 - d.** Asegúrese de que la válvula de control del quemador esté cerrada antes de abrir la válvula de servicio del cilindro de gas LP para no activar erróneamente el dispositivo limitador de flujo de la conexión.
 - e.** Si el dispositivo limitador de flujo de la conexión se activa por error, cierre la válvula de servicio del cilindro de gas LP y la válvula del quemador. Espere 10 segundos para permitir que el dispositivo se desactive, abra la válvula de servicio del cilindro y abra la válvula del quemador. A continuación, encienda el artefacto siguiendo las instrucciones de encendido.
- 2.** Asegúrese de proteger la manguera de cualquier superficie caliente. El contacto de la manguera con cualquier superficie caliente constituye un grave peligro.
- 3.** Mantenimiento regular de la manguera y el regulador:
 - a.** Inspeccione la manguera antes de cada uso de la mesa. Si la manguera presenta señales de grietas, abrasiones, cortes o daños de cualquier tipo, no utilice este artefacto. Repare o reemplace la manguera, según sea necesario, antes de usar este artefacto. Si necesita asistencia para reparar o reemplazar la manguera, comuníquese con Real Flame al 1-800-654-1704. Utilice exclusivamente piezas de repuesto adquiridas al fabricante.
 - b.** Inspeccione el sello que se encuentra dentro de la válvula de servicio CGA Núm. 791 del cilindro de gas cada vez que reemplace el cilindro o, como mínimo, una vez al año. Si hay alguna señal de daños, haga reemplazar el sello por un gasista certificado antes de poner en funcionamiento este artefacto.
- 4.** No utilice herramientas para ajustar la conexión CGA Núm. 791 en la válvula de servicio del cilindro de gas LP. Realice el ajuste a mano.
- 5.** Tenga cuidado de no cruzar las roscas de la conexión al ajustar la conexión CGA Núm. 791 en la válvula de servicio del cilindro de gas LP.
- 6.** Siempre debe realizar una “prueba de filtraciones” después de ajustar la conexión a la válvula de servicio del cilindro de gas LP. (Consulte la sección “Verificación de filtraciones” de este manual, en la página 10).
- 7.** Para conectar la manguera y el regulador del tanque LP, consulte la sección “Conexión” de la sección del cilindro de gas LP, más atrás.

LISTA DE PIEZAS

- | | | |
|---|---------------------------------------|----------|
| ① | Parte superior del soporte del tanque | 1 |
| | Blanco envejecido | 06164800 |
| | Gris pedernal | 06164800 |
| ② | Base del soporte del tanque | 1 |
| ③ | Los pies | 4 |



INSTRUCCIONES PREVIAS AL USO

1

Antes de encender la mesa de fuego a gas, revise la manguera y la válvula para determinar si presentan mucha abrasión o desgaste. Si alguna de las piezas parece estar dañada, comuníquese con Real Flame al 1-800-654-1704 antes de usar esta unidad.

⚠ ADVERTENCIA Antes de usar esta mesa de fuego para exterior, asegúrese de haber leído, comprendido y estar siguiendo toda la información que se incluye en la sección de Información importante de seguridad de este manual. Si no sigue estas instrucciones puede provocar la muerte, lesiones graves o daños a la propiedad.

Detección de filtraciones

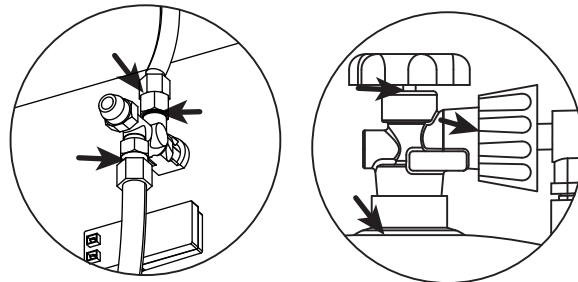
Prepare una solución para detectar filtraciones mezclando una parte de lavavajillas con tres partes de agua en una botella rociadora.

Asegúrese de que la perilla de control esté en la posición cerrada. A continuación, abra la válvula del tanque de gas LP.

Rocíe la solución sobre las conexiones de las válvulas y preste especial atención a las zonas que indican las flechas.

Si aparece alguna burbuja, cierre el tanque de gas, vuelva a realizar las conexiones y realice nuevamente la prueba. Si continúa viendo burbujas después de varios intentos, desconecte el gas y comuníquese con Real Flame al 1-800-654-1704 para solicitar asistencia.

Si una vez transcurrido un minuto, no hay ninguna burbuja, retire la solución y continúe.



Verifique si hay filtraciones en estos lugares.

⚠ ADVERTENCIA

- NO utilice una llama para comprobar si hay filtraciones.
- NO fume mientras está probando la unidad.
- NUNCA pruebe la unidad en interiores.
- Las comprobaciones en busca de filtraciones se deben hacer cada vez que se cambia el cilindro de gas.

Inspección

Esta mesa de fuego para exterior se debe inspeccionar de manera regular para asegurarse de que sea seguro utilizar el producto y extender su vida útil.

⚠ ADVERTENCIA NO inspeccione esta unidad para exterior hasta que el fuego se haya apagado POR COMPLETO.

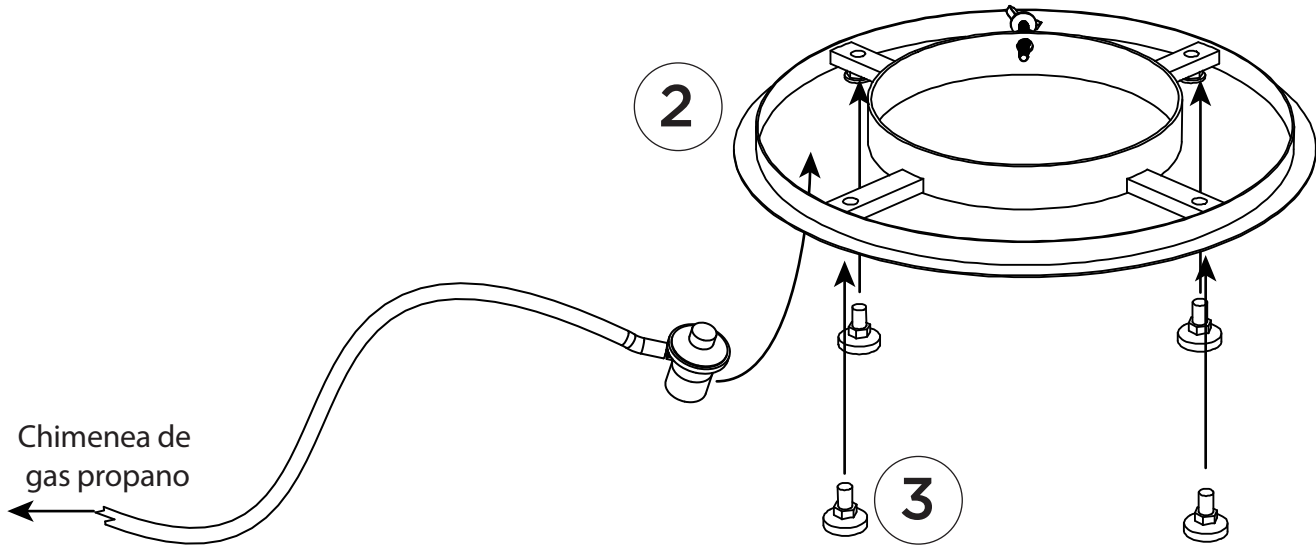
1. Compruebe el quemador para asegurarse de que esté firme en su lugar.
2. Compruebe el tubo de Venturi para asegurarse de que esté despejado, sin insectos, telas de araña o desperdicios.
3. Compruebe todas las conexiones de gas para ver si hay filtraciones.
4. Compruebe el sistema de encendido para asegurarse de que genere chispas correctamente.
5. Compruebe los componentes en busca de señales de daños, óxido o desgaste excesivo.
6. Si detecta que algún componente está dañado, NO utilice este equipo hasta que haya sido correctamente reparado.

⚠ ADVERTENCIA NO altere este artefacto. Es PELIGROSO y anulará la garantía. Si se detecta que una pieza falla, debe reemplazarse por una pieza adecuada, confirmada por el fabricante. Si desea recibir soporte técnico, comuníquese con Real Flame al: 1-800-654-1704.

Instrucciones De Ensamblaje

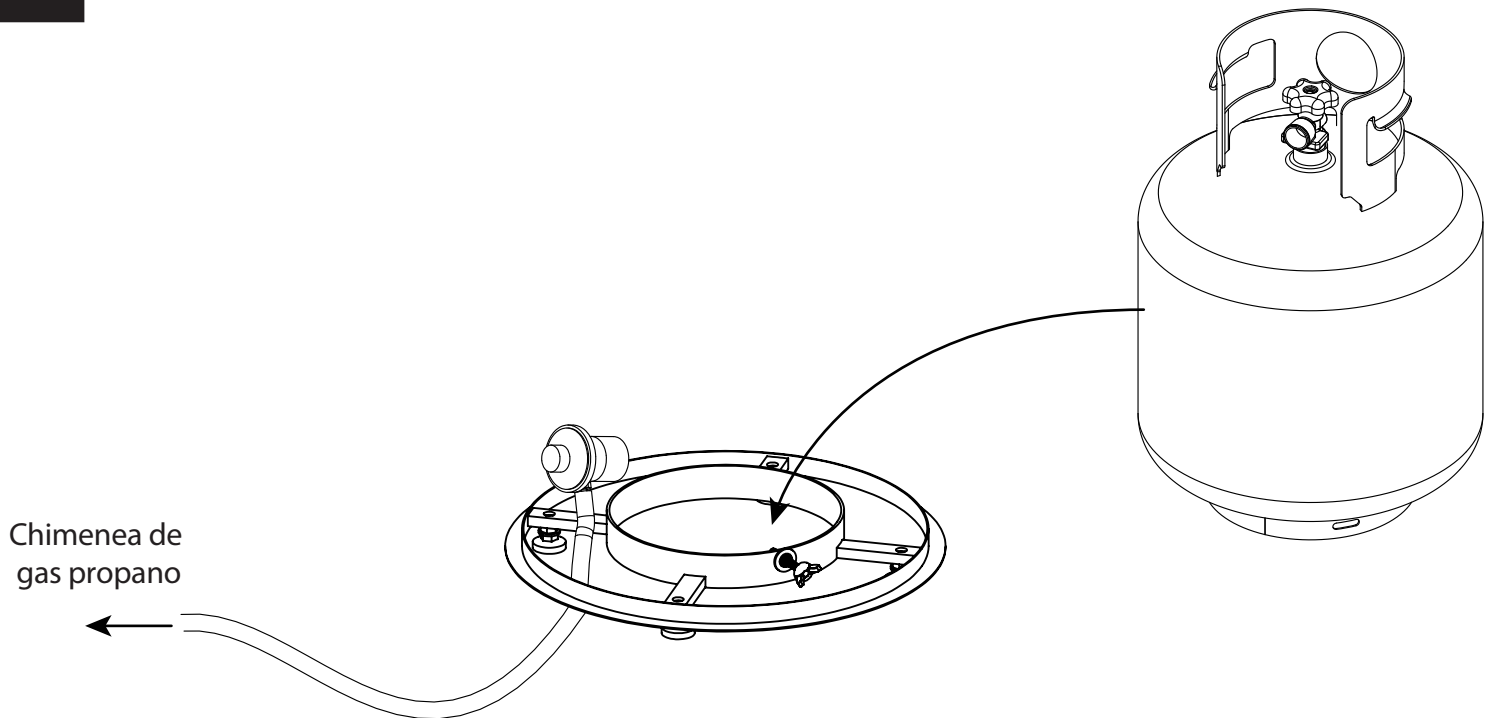
2

Atornille las patas (3) a la base (2). Pase la conexión del extremo del tanque de propano de la manguera a través de la parte inferior de la base del soporte del tanque (2). Tenga cuidado de no pasar la manguera a través del centro de la base (allí se colocará el tanque de propano).



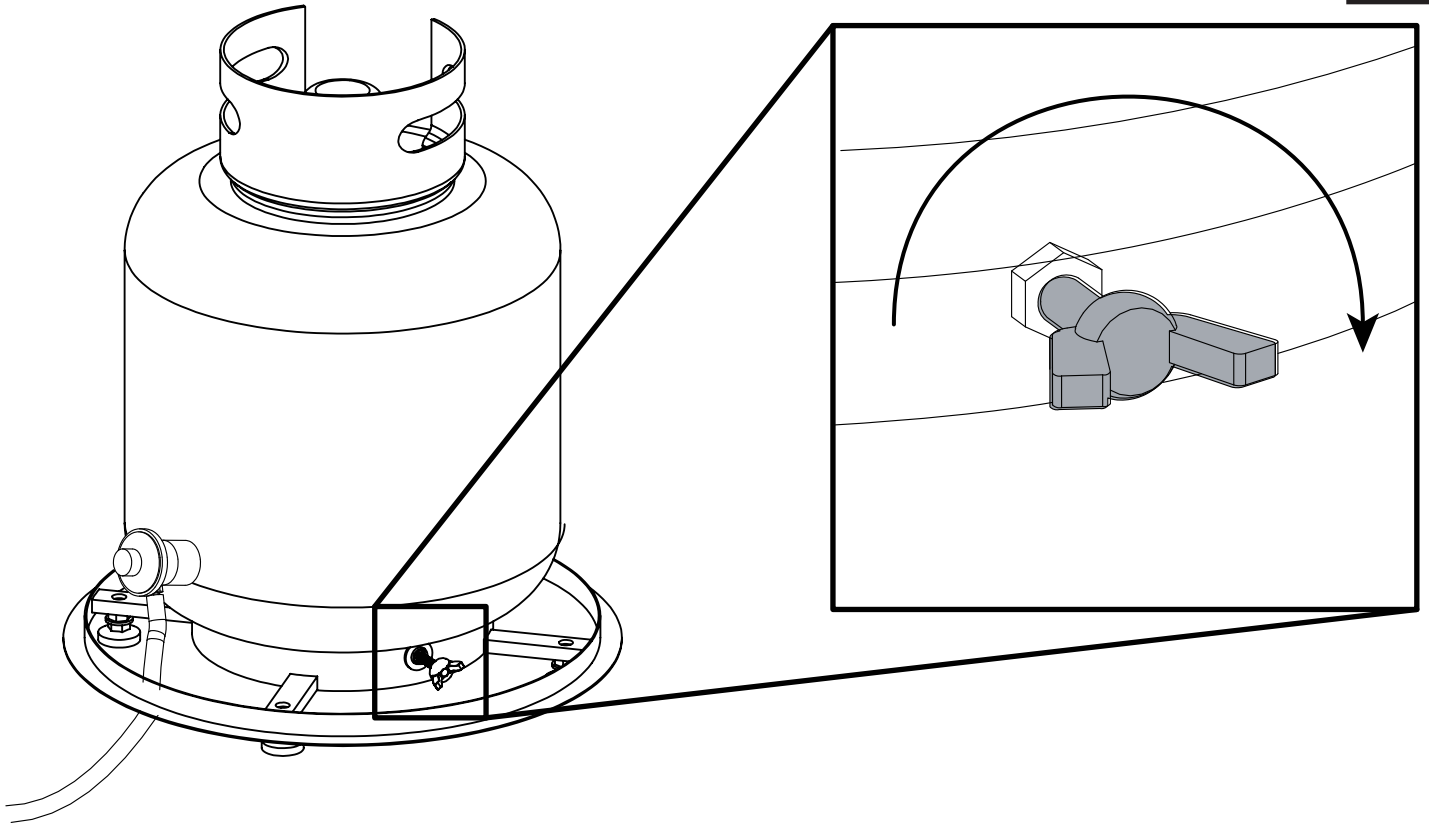
3

Coloque el tanque de propano en la base.



Coloque el tanque de propano en la base y asegúrelo ajustando el tornillo que está en la parte inferior de la base.

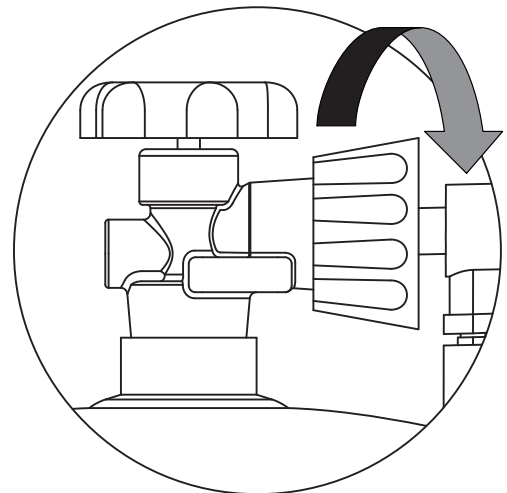
4



Conexión del tanque de gas de propano

Asegúrese de que no haya basura en el cabezal del tanque de gas propano ni en el cabezal de la válvula del regulador. Asegúrese de revisar también los orificios del quemador y el quemador.

Conecte la línea de gas al tanque girando la perilla en el sentido de las agujas del reloj. Realice el ajuste a mano.

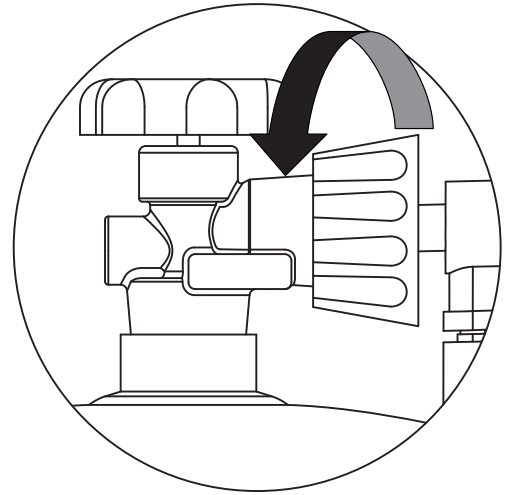


5

Desconexión del tanque de gas de propano

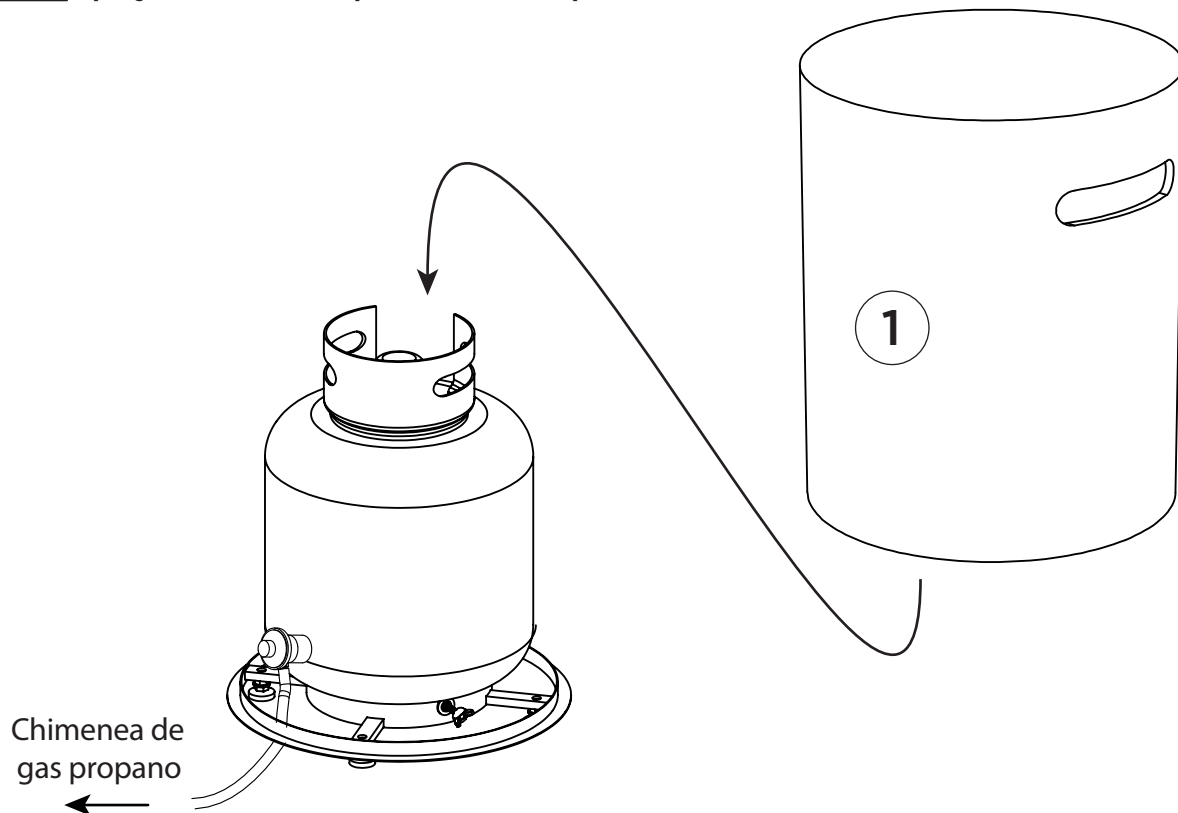
Asegúrese de que la válvula del tanque de gas LP esté cerrada.

Desconéctelo girando la perilla en el sentido opuesto al de las agujas del reloj hasta que se separe de la válvula.



Con el tanque de propano asegurado y la manguera del regulador conectada, coloque la parte superior (1) en la base (2).

No la apoye sobre el soporte del tanque.



CUIDADO Y MANTENIMIENTO

MANTENIMIENTO

Este equipo para exterior se debe limpiar regularmente para asegurarse de que sea seguro utilizarlo y se pueda extender la vida útil del producto.

⚠ ADVERTENCIA NO trate de limpiar la chimenea para exteriores a menos que el fuego esté completamente apagado y la pieza este frío al tacto.

⚠ ADVERTENCIA
NO use limpiadores de hornos o limpiadores abrasivos que pueden dañar este producto.

1. Repase las superficies exteriores con una solución de bicarbonato de sodio y lavavajillas suave.
2. Después, enjuague con agua limpia.

Almacenamiento

⚠ ADVERTENCIA NO mueva ni guarde esta mesa de fuego a menos que el fuego se haya apagado **TOTALMENTE** y el equipo esté frío al tacto.

Cierre la válvula de gas en la conexión del tanque. Retire el tanque y guárdelo en un lugar fresco y seco, al aire libre y alejado de los niños.

POLÍTICAS DE DEVOLUCIÓN Y GARANTÍA

Garantía

Real Flame® Company garantiza los chimeneas de gas Real Flame y sus accesorios están libres de defectos en condiciones de uso normal por un período de 1 año desde la fecha de compra y los problemas de acabado defectuosas por un período de 90 días a partir de la fecha de compra. En caso de que surjan estos defectos, Real Flame, a su sola discreción, reemplazará el producto defectuoso o reembolsará el dinero abonado por el producto. Éste es el único recurso y Real Flame niega cualquier otra garantía, incluidas las garantías implícitas de comercialización o aptitud para un fin determinado. Asimismo, Real Flame no será responsable por los daños resultantes que superen el precio de compra del producto sobre el que se basa la responsabilidad. Los hogares eléctricos cuentan con una garantía de un año exclusivamente sobre el hogar eléctrico.

Política de devolución

Puede devolver la compra dentro de los 90 días de haberla recibido. No se realizarán reembolsos en el caso de devoluciones incompletas o no autorizadas. Todos los productos devueltos deben estar totalmente completos, correctamente empacados en su empaque original y en condiciones para ser puestos nuevamente a la venta. No se podrán devolver productos que hayan sido ensamblados o modificados. Se deben devolver todos los artículos en conjunto, es decir que todos los elementos incluidos en el empaque se deben devolver juntos. No se realizarán devoluciones o cambios de elementos discontinuados. Para comenzar el proceso de devolución, comuníquese con la tienda o la compañía donde adquirió su Real Flame.

Piezas de reemplazo

Si se perdió o se dañó alguna pieza durante el envío, puede solicitar un reemplazo. No hay piezas de repuesto para todas las unidades y éstas se entregan únicamente a discreción de Real Flame. Evaluaremos todos los daños y encontraremos una solución, que podría incluir el envío de un repuesto. No hay repuestos para elementos discontinuados o productos vueltos a empacar (cajas abiertas). Comuníquese con el Servicio de atención al cliente del Real Flame al 800-654-1704 para solicitar piezas de repuesto antes de devolver el artículo dañado. Cuando se comunique con el Servicio de atención al cliente, debe tener a su alcance la siguiente información (puede encontrarla en el manual de instrucciones).

- Número de modelo del artículo
- Número de pieza de 4 a 8 dígitos
- Número de código del lote
- Domicilio de entrega
- Es posible que se le solicite una fotografía del artículo dañado. Las fotografías se deben enviar a: custserv@realflame.com

Recepción de un pedido incorrecto

Si recibió un artículo distinto del solicitado, comuníquese con el Servicio de atención al cliente de Real Flame al 800-654-1704, dentro de las 48 horas de haberlo recibido.

Consulte www.Realflame.com para conocer nuestras instrucciones y políticas de devolución completas.

Real Flame®
7800 Northwestern Ave.
Racine, WI 53403

Customer Service: 1-800-654-1704 in USA
Service à la clientèle: 1-800-363-6443 in Canada
custserv@realflame.com