



Fireplace Model #9100



Instruction Manual

Instructions and warnings for use



Welcome to the Real Flame® family of gel fuel products. If you have any questions please call customer service at **1-800-654-1704** or log on to **www.REALFLAME.com**.

STOP!

If parts are missing or damaged, call **1-800-654-1704** for assistance

⚠️ WARNINGS ⚠️

1. Fireplace is designed to be used with Real Flame® gel fuel only. Do not use with any other gel fuel or any other flammable liquid or gel.
2. Read entire label and instructions before using Real Flame gel fuel.
3. Make sure fireplace is set on a flat, level and stable surface. Keep fireplace stable at all times.
4. Make sure fireplace and gel fuel are burned on a flat and level surface.
5. Never leave a burning fire unattended, especially around children or pets.
6. Fireplace is not to be operated by children. Keep away from children and pets.
7. Exercise the same precautions as you would with any open fire.
8. When in use some surfaces will be hot, use caution.
9. Never touch logs, gel fuel cans or any other metal surfaces during or immediately after burning gel fuel. They will be extremely **HOT**. Allow them to cool for 60 minutes before touching.
10. Do not burn more than three cans of fuel at once.
11. Do not place more than 15 lbs. of weight on the top of the fireplace at anytime.
12. Do not alter fireplace, metal firebox or log set in any manner.
13. Keep fireplace and gel fuel cans away from flammable materials at all times.
14. Do not store or use gasoline or any other flammable vapors, liquids, or materials in the vicinity of fireplace and gel fuel.
15. Do not wear flammable or loose clothing when operating the fireplace.
16. Do not move fireplace while in use. Do not attempt to move or store the fireplace until 60 minutes after gel fuel cans have been extinguished.
17. Do not burn trash, paper, or wood in the fireplace. Burn only Real Flame® gel fuel in the fireplace.
18. Do not burn gel fuel outside designated burn areas on the metal grate.
19. Do not put fireplace in an area with lots of traffic, such as a hallway or entryway.
20. In case of an emergency use a CO2 extinguisher to extinguish the fire.
21. Death, serious injury or damage to property may occur if the warnings above are not followed.
22. If for any reason you cannot follow these warnings please call us at 1-800-654-1704.

NOTICE: Buyer assumes all responsibility for safety and use that is not in accordance with instructions and warnings.

Using your Fireplace

- Follow all instructions included with gel fuel before use.
- Before using Fireplace make sure you have read and understand the step-by-step instructions.
- During the initial burn you may experience a slight odor. This odor is temporary and will be absent on following burns.



9100 Canterbury Instructions



⚠ CAUTION: DO NOT PLACE HAZARDOUS MATERIALS, EXPLOSIVES OR AREOSOL PRODUCTS ON SHELVES. ⚠

Parts List			
Number	Description	Part Number	Quantity
1	Base	9101	1
2	Shelf Top	9102	1
3	Shelf Base	9103	1
4	Shelf Panel	9104	1
5	Left Side	9105	1
6	Right Side	9106	1
7	Mantle Top	9107	1
8	Center Panel	9108	1
9	Upper Facing	9109	1
10	Firebox Support	9110	1
11	Firebox Lip	9111	1
12	Lower Facing	9112	1
13	Shelves	9113	3
14	Firebox	4099	1
15	Mantel Grate	0001	1
16	Mantel Log	2605	1
<i>not shown</i>			
	1" Screws	9713	bag
	Shelf Mounting Pegs	9712	1 pk
	Firebox Clips	1076	2

Tips For Assembly

Before assembly, locate instructions and hardware. Take out all parts and compare them to the photograph and the assembly illustrations. Be sure you have all parts identified.

Check for screws that are wrapped in the packaging to be sure you don't discard them. You may have extra screws.

A helping hand is always good. Assemble fireplace with an adult assistant if possible.

The cement log is heavy. Put the fireplace in the desired location before inserting cement log.

Use caution not to over tighten screws.

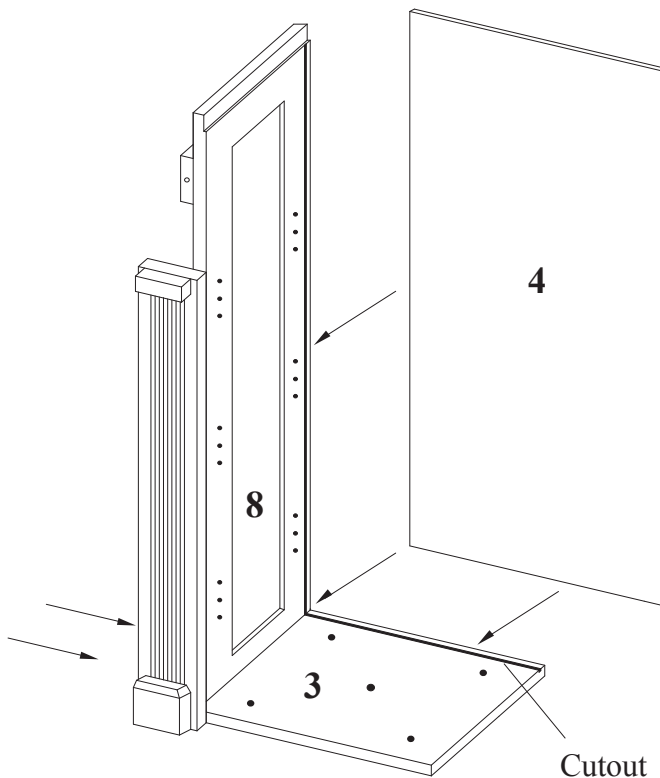


figure 1

Step One

figure 1

- Place Shelf Base(3) on flat surface with Cutout facing up and towards the rear of the unit.
- Place Center Panel (8) at the right side of the Shelf Base(3). Align Column with Base so both pieces are flush at the back of the unit.
- Attach Center Panel(8) to Shelf Base(3) with screws through two holes on the side of the Center Panel.
- Insert Shelf Panel(4) into The Grooved Cutouts on The Shelf Base And Center Column.

Step Two

figure 2

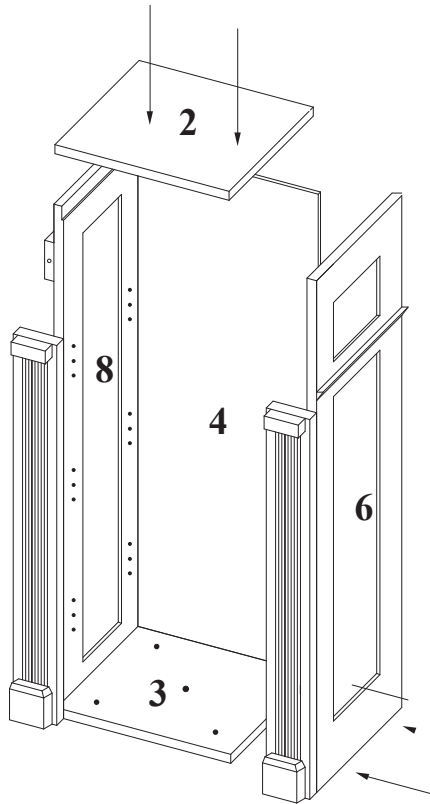


figure 2

- Locate the Right Side (6). Using the lounge and groove, from the top of the Shelf Panel(4) slide the Right Side down until it meets the side of the Shelf Base(3).
- Attach with screws through two holes on the side of the panel.
- Locate the Shelf Top (2) and align it so that the Shelf Panel Fits into the Grooved Cutout on the underside of the Shelf Top.
- Attach the The Center Panel (8) to the Shelf top with screws through two holes on the side.
- Then Proceed to attach the Right side (6) to the Shelf top through the two holes in the top of the Side.

Step Three

figure 3

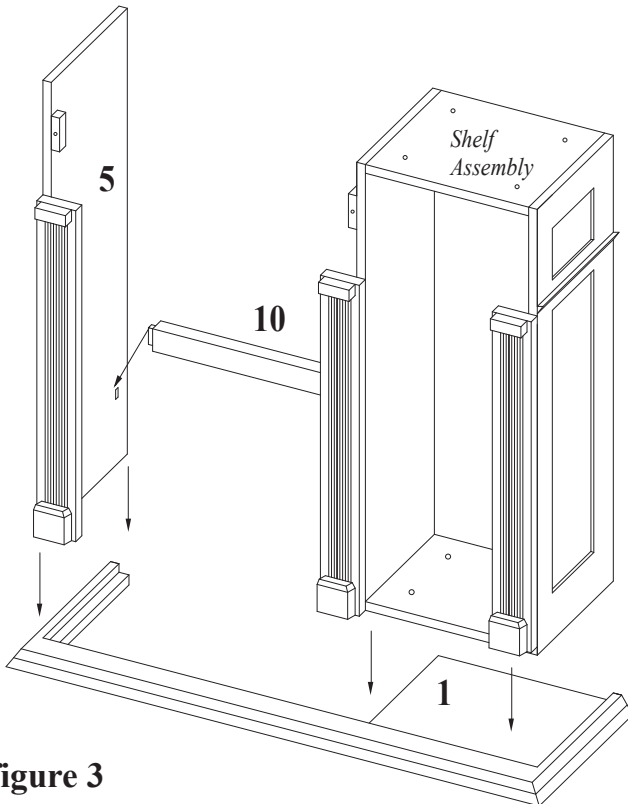


figure 3

- Set Base (1) on a flat, carpeted surface.
- Set Left Side (5) at left end of Base so Side fits into Base. Attach Side to Base(1) through two holes at bottom of the Side.
- Set Shelf assembly into right end of Base (1) so it fits into corner.
- Insert Firebox Support (10) into slots on the Left Side (5) and the side of the Shelf Assembly.
- Attach Shelf Assembly with screws through the Five holes in the base of the Assembly.
- Slide Left Column(4) into groove on the front of the Left Side Panel, attach with screws through holes in mounting blocks on the side panel. Repeat steps with Center Column (5) and Right Side Column(6).

CAUTION: DO NOT PLACE HAZARDOUS MATERIALS, EXPLOSIVES OR AEROSOL PRODUCTS ON SHELVES

Step Four

figure 4

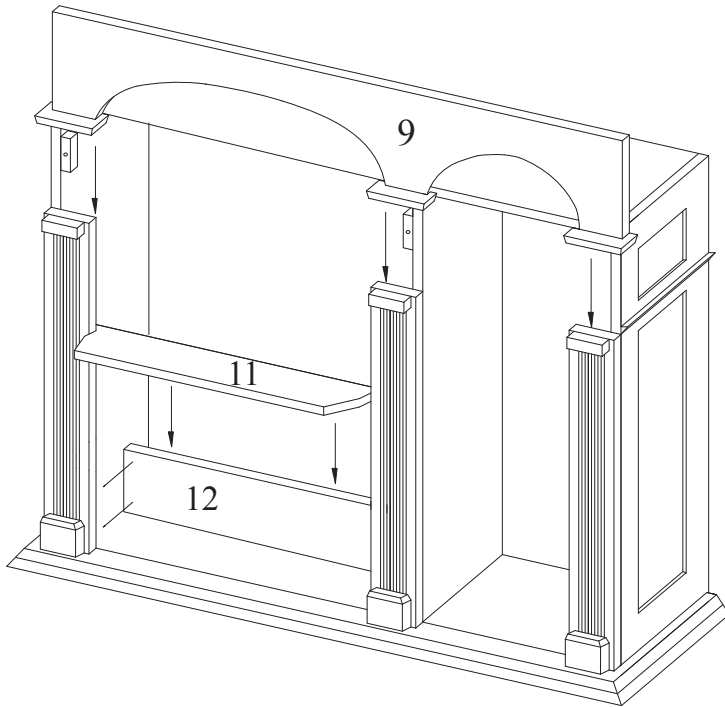


figure 4

- Slide Center Panel (9) into slots on the Left side Panels and Shelf Assembly.
- From behind the unit attach Center Panel(9) through the mounting blocks located on the Left Side Panel(5), on the outside and inside the Shelf Assembly.
- From behind the unit place the Lower Facing (12) behind the Left and Center Columns at the base of the unit.
- Attach the Facing with screws through holes in the sides of the Facing.
- Place Firebox Lip(11) on the top of the LowerFacing(12).
- Attach Lip(11) with screws through holes in the Lip.

Step Five

figure 5

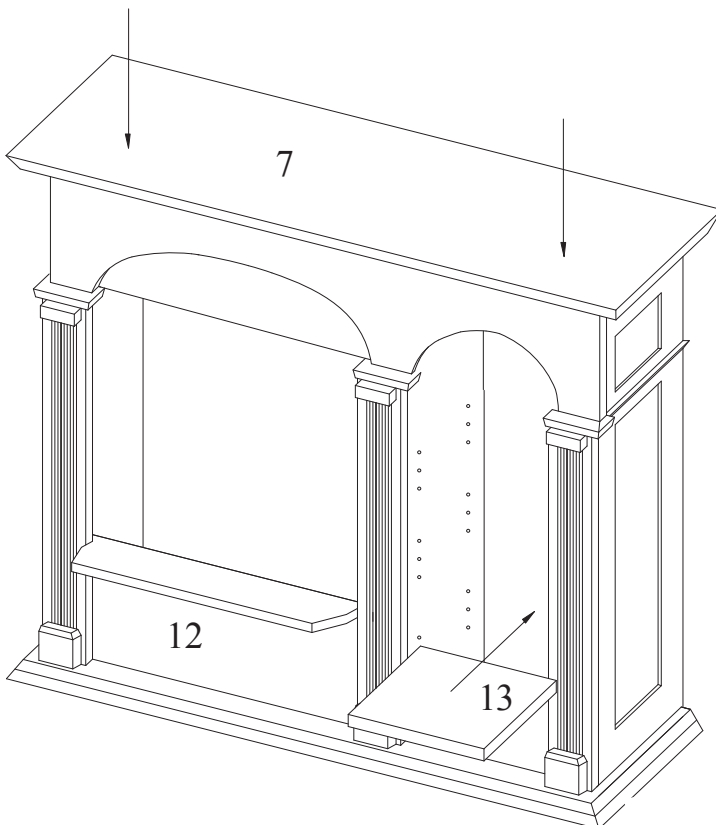


figure 5

- Set Mantel Top (7) onto top of unit so trim on Mantel top overhangs front and sides.
- Attach Top through the Center Panel(9) then the Left Side Panel(2) followed by the four holes in the top of the Shelf Assembly.
- Locate the Shelf Pegs and insert the pegs into the Shelf Assembly at desired height. Tilt Shelf (13) into assembly and set on top of the pegs. Repeat process with remaining shelves.

You are now ready for the firebox installation. Please refer to the instructions that are included with your firebox.

CAUTION: DO NOT PLACE HAZARDOUS MATERIALS, EXPLOSIVES OR AEROSOL PRODUCTS ON SHELVES