



## Fireplace Model #9000



**Instruction Manual**

---

# Instructions and warnings for use



Welcome to the Real Flame® family of gel fuel products. If you have any questions please call customer service at **1-800-654-1704** or log on to **www.REALFLAME.com**.

## STOP!

If parts are missing or damaged, call **1-800-654-1704** for assistance

### **WARNINGS**

1. Fireplace is designed to be used with Real Flame® gel fuel only. Do not use with any other gel fuel or any other flammable liquid or gel.
2. Read entire label and instructions before using Real Flame gel fuel.
3. Make sure fireplace is set on a flat, level and stable surface. Keep fireplace stable at all times.
4. Make sure fireplace and gel fuel are burned on a flat and level surface.
5. Never leave a burning fire unattended, especially around children or pets.
6. Fireplace is not to be operated by children. Keep away from children and pets.
7. Exercise the same precautions as you would with any open fire.
8. When in use some surfaces will be hot, use caution.
9. Never touch logs, gel fuel cans or any other metal surfaces during or immediately after burning gel fuel. They will be extremely **HOT**. Allow them to cool for 60 minutes before touching.
10. Do not burn more than three cans of fuel at once.
11. Do not place more than 15 lbs. of weight on the top of the fireplace at anytime.
12. Do not alter fireplace, metal firebox or log set in any manner.
13. Keep fireplace and gel fuel cans away from flammable materials at all times.
14. Do not store or use gasoline or any other flammable vapors, liquids, or materials in the vicinity of fireplace and gel fuel.
15. Do not wear flammable or loose clothing when operating the fireplace.
16. Do not move fireplace while in use. Do not attempt to move or store the fireplace until 60 minutes after gel fuel cans have been extinguished.
17. Do not burn trash, paper, or wood in the fireplace. Burn only Real Flame® gel fuel in the fireplace.
18. Do not burn gel fuel outside designated burn areas on the metal grate.
19. Do not put fireplace in an area with lots of traffic, such as a hallway or entryway.
20. In case of an emergency use a CO2 extinguisher to extinguish the fire.
21. Death, serious injury or damage to property may occur if the warnings above are not followed.
22. If for any reason you cannot follow these warnings please call us at 1-800-654-1704.

**NOTICE: Buyer assumes all responsibility for safety and use that is not in accordance with instructions and warnings.**

### Using your Fireplace

- Follow all instructions included with gel fuel before use.
- Before using Fireplace make sure you have read and understand the step-by-step instructions.
- During the initial burn you may experience a slight odor. This odor is temporary and will be absent on following burns.



## Parts List

Number	Description	Part Number	Quantity
1	Base	9001	1
2	Left Side Panel	9002	1
3	Right Side Panel	9003	1
4	Left Trim Panel	9004	1
5	Right Trim Panel	9005	1
6	Center Panel	9006	1
7	Mantel Top	9007	1
8	Left Facing	9008	1
9	Right Facing	9009	1
10	Center Facing	9010	1
11	Firebox Support	9011	1
12	Lower facing	9012	1
13	Firebox Lip	9013	1
<i>not shown</i>			
	1" Screws	9713	Bag
	Firebox Clips	1075	2

## Tips For Assembly

Before assembly, locate instructions and hardware. Take out all parts and compare them to the photograph and the assembly illustrations. Be sure you have all parts identified.

Check for screws that are wrapped in the packaging to be sure you don't discard them. You may have extra screws.

A helping hand is always good. Assemble fireplace with an adult assistant if possible.

The cement log is heavy. Put the fireplace in the desired location before inserting cement log.

Use caution not to over tighten screws.

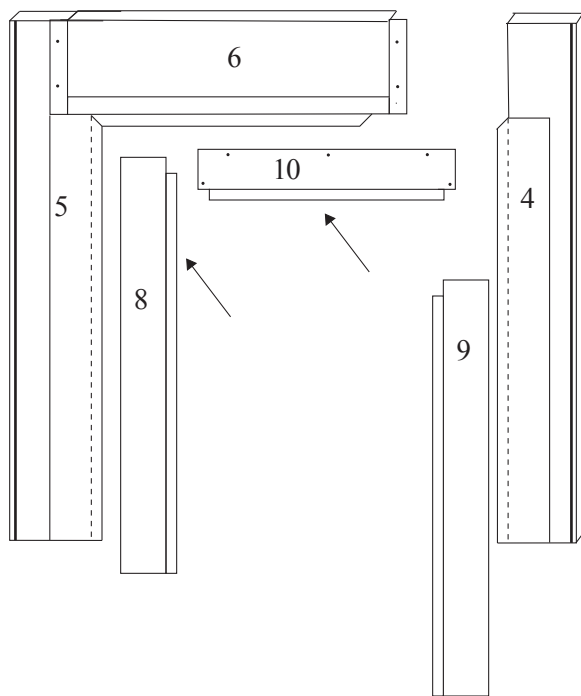


figure 1

## Step One

figure 1

- Set Right and Left Trim Panels (4 & 5) face down about three feet apart on a flat, carpeted surface with grooves to outer edges.
- Set Center Panel (6) between Trim Panels so tops of all Panels align and mounting strip at lower edge of Center Panel rests on mounting strips of Trim Panels. Attach Center Panel to Trim Panels with screws through pre-drilled holes in mounting strips at outer edges of Center Panel.
- Set Left Facing (8) face down at left side of assembly so its mounting strip fits to inner edges of Center Facing and Trim Panel mounting strips. Attach Left Facing to Left Trim Panel with screws through pre-drilled holes in mounting strip on Left Facing.
- Repeat with Right Facing (9) at right side of assembly.
- Set Center Facing (10) face down below Center Panel so it is flush with lower edge of Center Panel. Attach Center Facing with screws through pre-drilled holes in Center Facing mounting strips.

## Step Two

figure 2

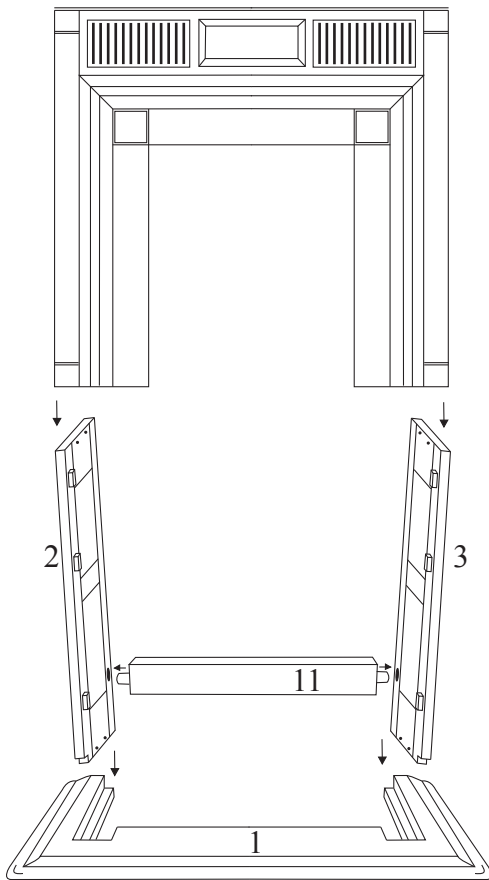


figure 2

- Set the Base (1) on a flat, carpeted surface.

- Set the Left Side Panel (2) upright at left side of Base so mounting blocks and tongue edge are toward the front. Slide Panel down into Base so notched corner overlaps Base. Attach loosely to Base with screws through pre-drilled holes in bottom of Side Panel.

- Repeat using Right Side Panel (3) at right side of Base.

- Hold Firebox Support (11) between Sides with its wood block in back. Slide Firebox Support pegs into slots at rear inner edges of Sides.

- Tighten screws attaching Side Panels to Base.

- Hold entire front assembly over Base in front of Side Panels. Align tongues at front of Side Panels with grooves at outer edges of front assembly and slide assembly down to Base.

- Attach Side Panels to Trim Panel assembly with screws through pre-drilled holes in mounting blocks on Right and Left Side Panels.

7

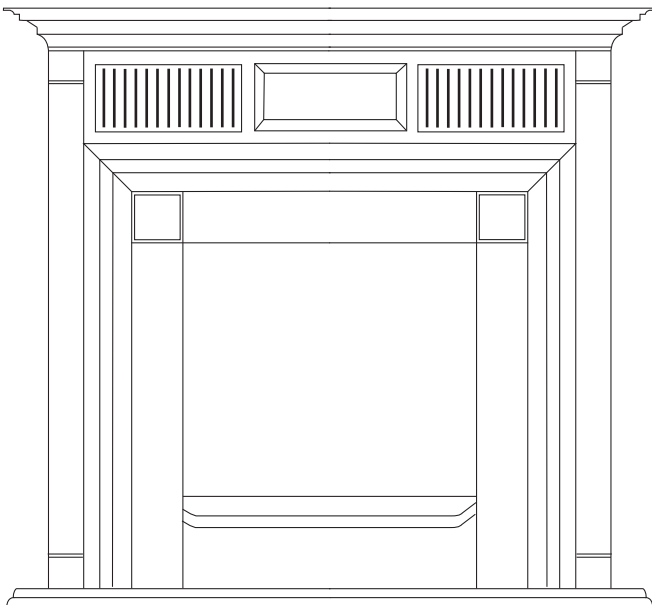


figure 3

## Step Three

figure 3

- From back, set Lower Facing (12) on Base so it fits into space behind Right and Left Facing. Screw Lower Facing on through pre-drilled holes in mounting strips at its outer edges.

- From back, set Lip (13) on Lower Facing so curved edge fits through fireplace opening and Lip mounting strip rests on Lower Facing mounting strip. Attach Lip with screws through pre-drilled holes in Lip mounting strip.

- Slide Mantel Top (7) on from front of unit so that its front and side moldings overhang the unit and the back of the Top is flush with the back of the unit. Screw Top to unit through pre-drilled holes at outer edges of Top and at upper edges of Side Panels.

You are now ready for the firebox installation. Please refer to the instructions that are included with your firebox.