



Fireplace Model # 8500



Instruction Manual

Instructions and warnings for use



Welcome to the Real Flame® family of gel fuel products. If you have any questions please call customer service at **1-800-654-1704** or log on to **www.REALFLAME.com**.

STOP!

If parts are missing or damaged, call **1-800-654-1704** for assistance

⚠️ WARNINGS ⚠️

1. Fireplace is designed to be used with Real Flame® gel fuel only. Do not use with any other gel fuel or any other flammable liquid or gel.
2. Read entire label and instructions before using Real Flame gel fuel.
3. Make sure fireplace is set on a flat, level and stable surface. Keep fireplace stable at all times.
4. Make sure fireplace and gel fuel are burned on a flat and level surface.
5. Never leave a burning fire unattended, especially around children or pets.
6. Fireplace is not to be operated by children. Keep away from children and pets.
7. Exercise the same precautions as you would with any open fire.
8. When in use some surfaces will be hot, use caution.
9. Never touch logs, gel fuel cans or any other metal surfaces during or immediately after burning gel fuel. They will be extremely **HOT**. Allow them to cool for 60 minutes before touching.
10. Do not burn more than three cans of fuel at once.
11. Do not place more than 15 lbs. of weight on the top of the fireplace at anytime.
12. Do not alter fireplace, metal firebox or log set in any manner.
13. Keep fireplace and gel fuel cans away from flammable materials at all times.
14. Do not store or use gasoline or any other flammable vapors, liquids, or materials in the vicinity of fireplace and gel fuel.
15. Do not wear flammable or loose clothing when operating the fireplace.
16. Do not move fireplace while in use. Do not attempt to move or store the fireplace until 60 minutes after gel fuel cans have been extinguished.
17. Do not burn trash, paper, or wood in the fireplace. Burn only Real Flame® gel fuel in the fireplace.
18. Do not burn gel fuel outside designated burn areas on the metal grate.
19. Do not put fireplace in an area with lots of traffic, such as a hallway or entryway.
20. In case of an emergency use a CO2 extinguisher to extinguish the fire.
21. Death, serious injury or damage to property may occur if the warnings above are not followed.
22. If for any reason you cannot follow these warnings please call us at 1-800-654-1704.

NOTICE: Buyer assumes all responsibility for safety and use that is not in accordance with instructions and warnings.

Using your Fireplace

- Follow all instructions included with gel fuel before use.
- Before using Fireplace make sure you have read and understand the step-by-step instructions.
- During the initial burn you may experience a slight odor. This odor is temporary and will be absent on following burns.



Parts List

Number	Description	Part Number	Quantity
1	Firebox Support	8501	1
1A	Firebox Support Face	8501-A	1
1B	Firebox Side Support	8501-B	2
2	Left Side Panel	8502	1
3	Right Side Panel	8503	1
4	Left Trim Panel	8504	1
5	Right Trim Panel	8505	1
6	Center Panel	8506	1
7	Mantel Top	8507	1
<i>not shown</i>			
	1" Screws	9713	bag
	Firebox clips	1076	2

Tips For Assembly

Before assembly, locate instructions and hardware. Take out all parts and compare them to the photograph and the assembly illustrations. Be sure you have all parts identified.

Check for screws that are wrapped in the packaging to be sure you don't discard them. You may have extra screws.

A helping hand is always good. Assemble fireplace with an adult assistant if possible.

The cement log is heavy. Put the fireplace in the desired location before inserting cement log.

Use caution not to over tighten screws.

Step One

figure 1

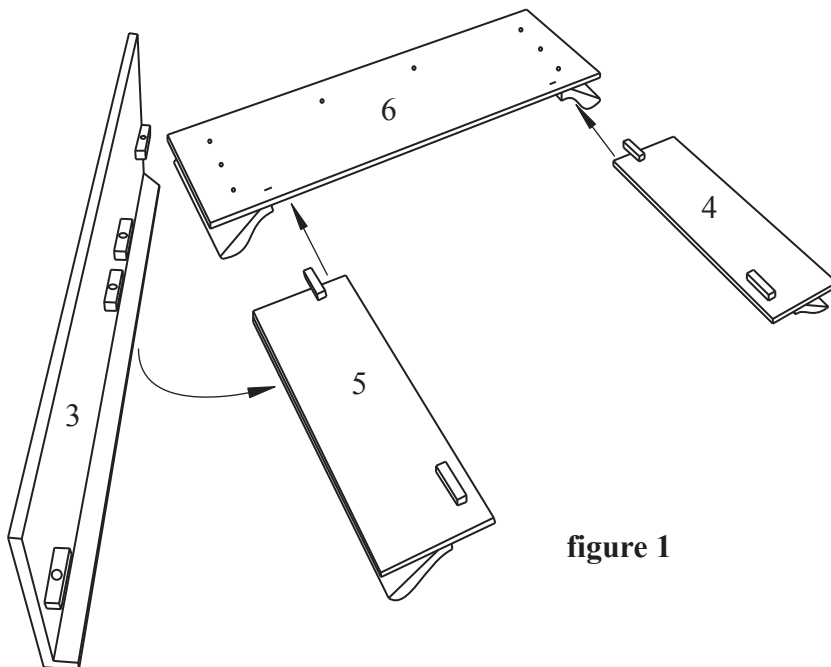


figure 1

- Set Center Panel (6) face down on a flat surface.
- Place Right Trim Panel (5) face down and flush with the left side of center panel. Make sure front trim lines up and attach with one screw through mounting block on back.
- Repeat with Left Trim Panel (4).
- Place Right Side Panel (3) so that the front lip and the mounting blocks fit around the center panel and trim panels. Side Panel should be flush with the bottom edge of trim panel. Attach with four screws.
- Repeat with Left Side Panel (2).

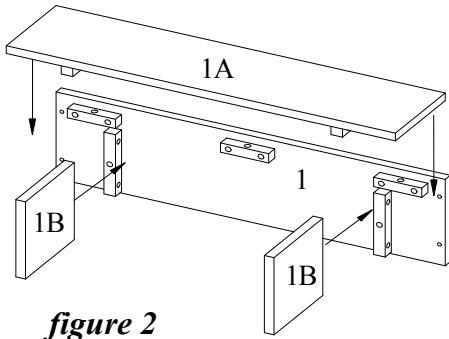


figure 2

Step 2 Firebox Support Assembly figure 2

Locate Firebox Face (1) and attach the two side supports (1B) to the mounting blocks using four wood screws as shown in figure 2.

Complete the assembly by setting top support (1A) on the top of the firebox face. Fasten together using eight wood screws through the holes in the five mounting blocks.

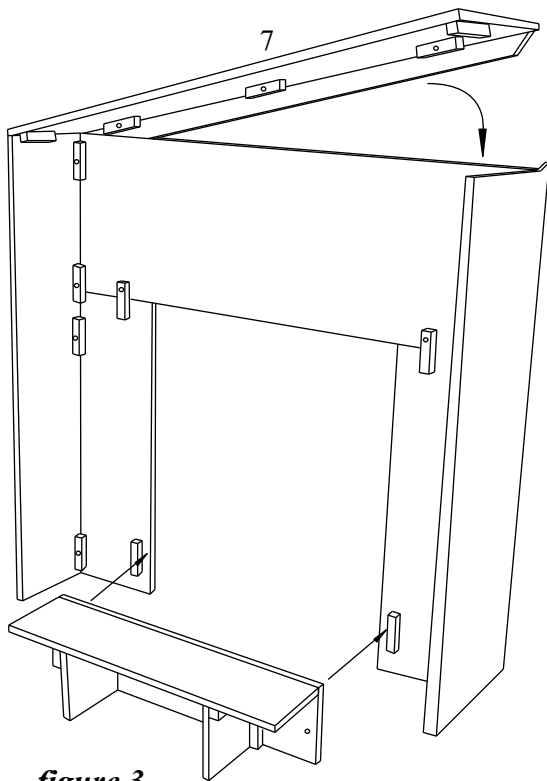
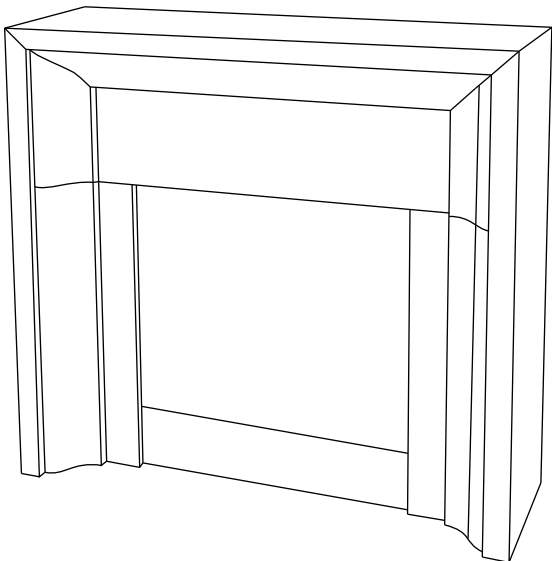


figure 3

Step Three figure 3

Slide Mantel Top (7) onto top of unit so trim overhangs over the Center Panel. Attach into place through the three holes in the top of the Center Panel followed by the holes in the top of the Left and Right Side panels.

Fit Firebox support assembly between two lower mounting blocks. Attach the assembly with two screws through predrilled holes in the support face.



You are now ready for the firebox installation. Please refer to the instructions that are included with your firebox.