



**REAL FLAME<sup>®</sup>**  
G E L F I R E P L A C E S

## Fireplace Model # 6200



**Instruction Manual**

---

# Instructions and warnings for use



Welcome to the Real Flame® family of gel fuel products. If you have any questions please call customer service at **1-800-654-1704** or log on to **www.REALFLAME.com**.

## STOP!

If parts are missing or damaged, call **1-800-654-1704** for assistance

### **WARNINGS**

1. Fireplace is designed to be used with Real Flame® gel fuel only. Do not use with any other gel fuel or any other flammable liquid or gel.
2. Read entire label and instructions before using Real Flame gel fuel.
3. Make sure fireplace is set on a flat, level and stable surface. Keep fireplace stable at all times.
4. Make sure fireplace and gel fuel are burned on a flat and level surface.
5. Never leave a burning fire unattended, especially around children or pets.
6. Fireplace is not to be operated by children. Keep away from children and pets.
7. Exercise the same precautions as you would with any open fire.
8. When in use some surfaces will be hot, use caution.
9. Never touch logs, gel fuel cans or any other metal surfaces during or immediately after burning gel fuel. They will be extremely **HOT**. Allow them to cool for 60 minutes before touching.
10. Do not burn more than three cans of fuel at once.
11. Do not place more than 15 lbs. of weight on the top of the fireplace at anytime.
12. Do not alter fireplace, metal firebox or log set in any manner.
13. Keep fireplace and gel fuel cans away from flammable materials at all times.
14. Do not store or use gasoline or any other flammable vapors, liquids, or materials in the vicinity of fireplace and gel fuel.
15. Do not wear flammable or loose clothing when operating the fireplace.
16. Do not move fireplace while in use. Do not attempt to move or store the fireplace until 60 minutes after gel fuel cans have been extinguished.
17. Do not burn trash, paper, or wood in the fireplace. Burn only Real Flame® gel fuel in the fireplace.
18. Do not burn gel fuel outside designated burn areas on the metal grate.
19. Do not put fireplace in an area with lots of traffic, such as a hallway or entryway.
20. In case of an emergency use a CO2 extinguisher to extinguish the fire.
21. Death, serious injury or damage to property may occur if the warnings above are not followed.
22. If for any reason you cannot follow these warnings please call us at 1-800-654-1704.

**NOTICE: Buyer assumes all responsibility for safety and use that is not in accordance with instructions and warnings.**

### Using your Fireplace

- Follow all instructions included with gel fuel before use.
- Before using Fireplace make sure you have read and understand the step-by-step instructions.
- During the initial burn you may experience a slight odor. This odor is temporary and will be absent on following burns.



## Parts List

Panel#	Description	Part Number	Quantity
1	Right Side Panel	6201	1
2	Left Side Panel	6202	1
3	Right Column Panel	6203	1
4	Left Column Panel	6204	1
5	Lower Surround	6205	1
6	Firebox Lip	6206	1
7	Left Firebox Surround	6207	1
8	Right Firebox Surround	6208	1
9	Center Panel	6209	1
10	Mantel Top	6210	1
Not Shown			
	1" Screws	9713	Bag
	Fire box Clips	1075	2

## Tips For Assembly

Before assembly, locate instructions and hardware. Take out all parts and compare them to the photograph and the assembly illustrations. Be sure you have all parts identified.

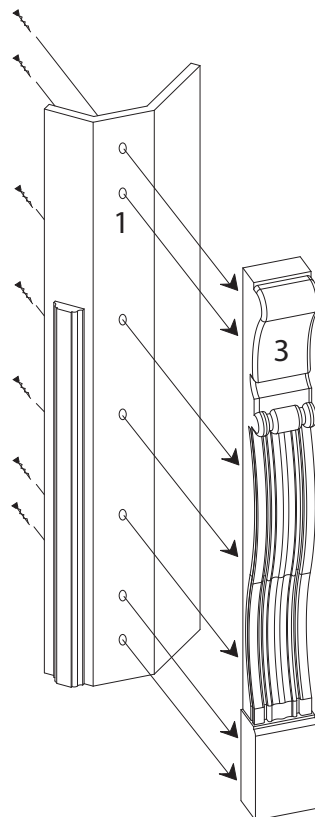
Check for screws that are wrapped in the packaging to be sure you don't discard them. You may have extra screws.

A helping hand is always good. Assemble fireplace with an adult assistant if possible.

The cement log is heavy. Put the fireplace in the desired location before inserting cement log.

Use caution not to over tighten screws.

Figure 1



## Step One

Figure 1

- Stand Panel #1 up onto a flat and level surface.
- Position Panel #3 so that screw holes in Panel #1 line up with pre-drilled holes in the back of Panel #3 and so that bottom edges of two panels are flush.
- Insert screws through Panel #1 and screw into pre-drilled holes in the back of Panel #3.
- Repeat Step One using Panels #2 & #4.

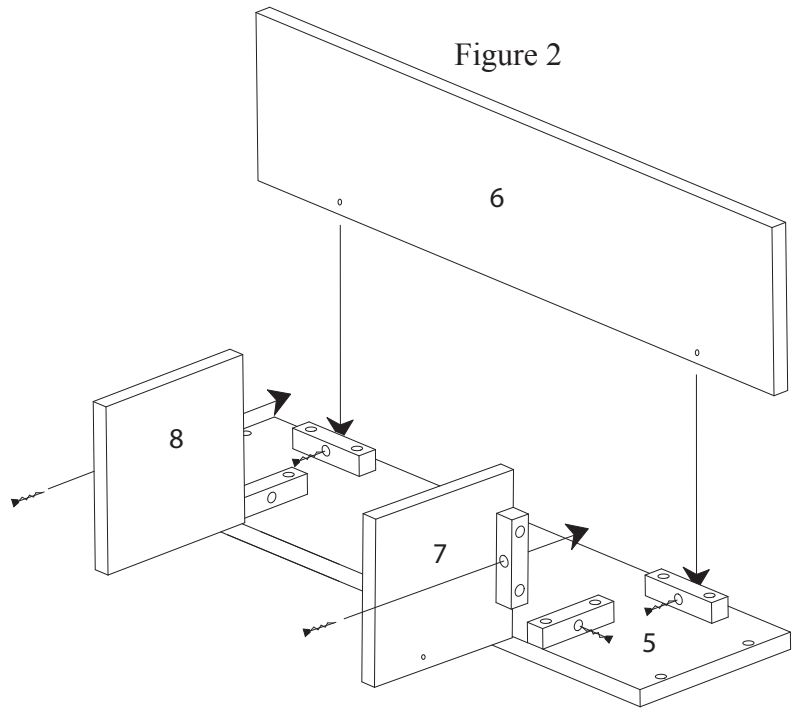


Figure 2

## Step Two

Figure 2

- Position Panels #5 & #6 so that holes in mounting blocks on Panel #5 are over pre-drilled holes in Panel #6.
- Attach with screws through mounting blocks on Panel #5 into pre-drilled holes in Panel #6.
- Position Panel #7 so mounting block is over pre-drilled hole in Panel #6. Also, be sure that mounting block on Panel #5 is over pre-drilled hole on bottom of Panel #7. Attach with screws through mounting blocks into pre-drilled holes.
- Position Panel #8 so mounting block is over pre-drilled hole in Panel #6. Also, be sure that mounting block on Panel #5 is over pre-drilled hole on bottom of Panel #8. Attach with screws through mounting blocks into pre-drilled holes.

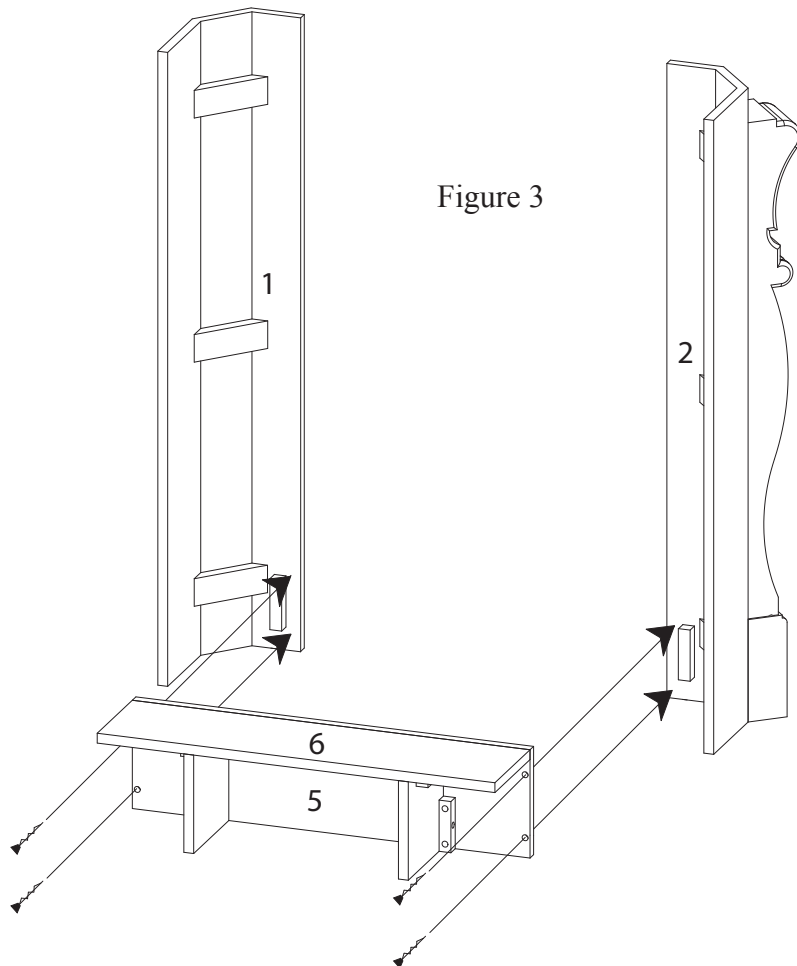


Figure 3

## Step Three

Figure 3

- Stand Panels #1 & #2 on the bottom edge.
- Position Firebox Support Assembly (Panels #5-8) between Panels #1 & #2. Be sure that screw holes towards edges of Panel #5 are over pre-drilled holes in Panels #1 & #2, and be sure that Panel #6 is on the top.
- Attach with screws through Panel #5 into Panels #1 & #2.

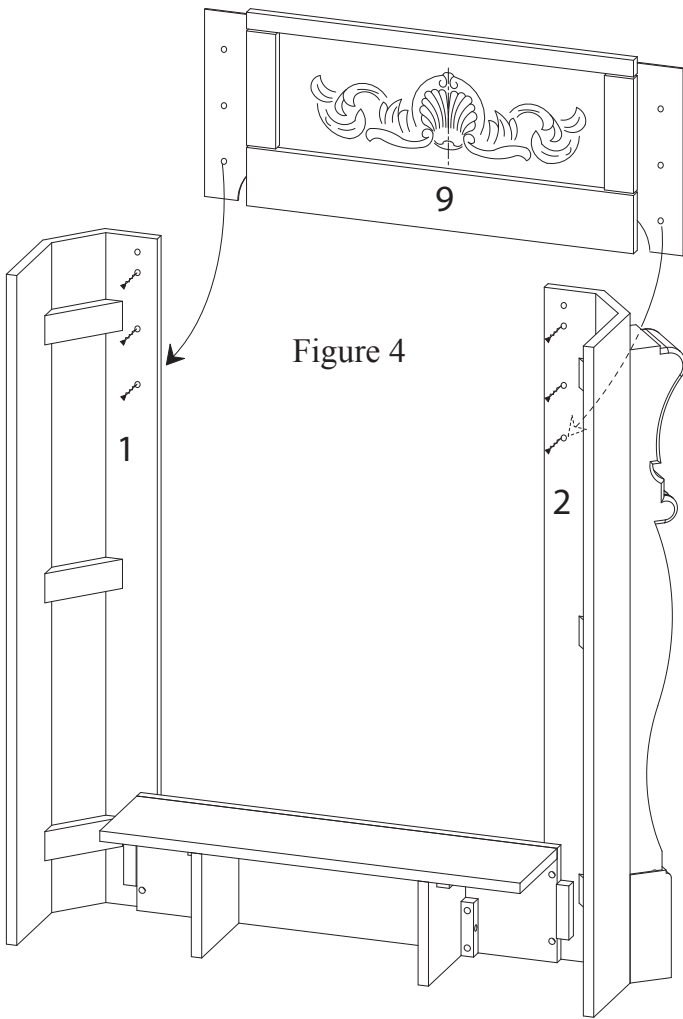


Figure 4

## Step Four

Figure 4

- Position Panel #9 so the bottom screw hole in Panels #1 & #2 is over the bottom of the pre-drilled holes in Panel #9.
- Attach Panels #1 & #2 to Panel #9 by inserting screws through the bottom three holes in Panels #1 & #2 and screwing into pre-drilled holes in Panel #9.

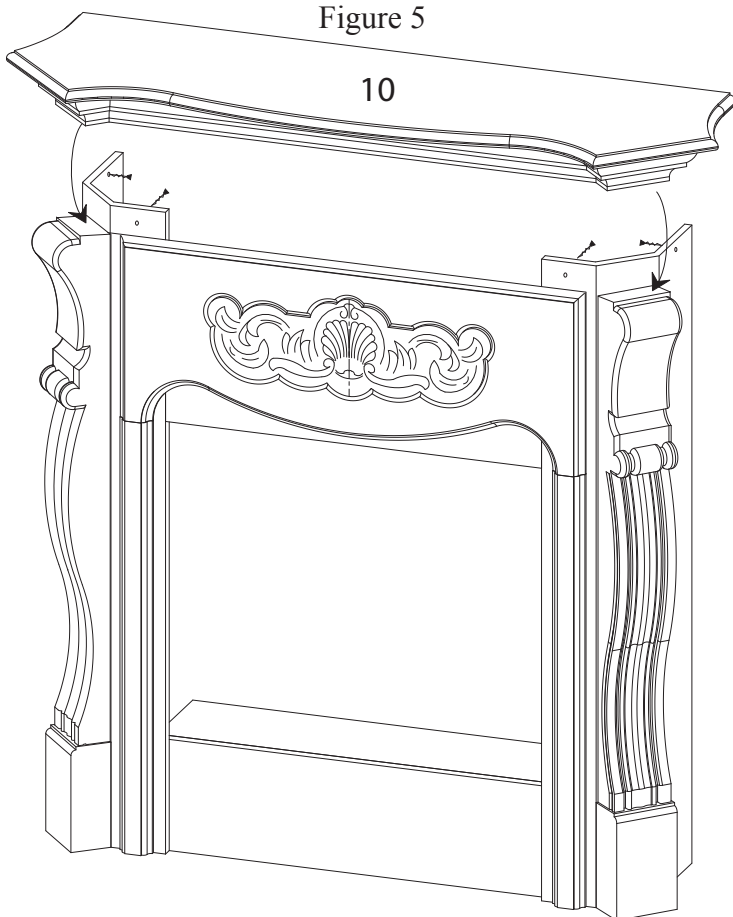


Figure 5

## Step Five

Figure 5

- Position Panel #10 on the top of the unit so that the trim is on the outside of the panels.
- Attach Panel #10 to unit by inserting screws through the holes at tops of Panels #1 & #2 into pre-drilled holes in Panel #10.

You are now ready for the firebox installation. Please refer to the instructions that are included with your firebox.