



Fireplace Model # 5400



Instruction Manual

STOP!

If parts are missing or damaged, call **1-800-654-1704** for assistance

Welcome to the Real Flame® family of gel fuel products. If you have any questions please call customer service at **1-800-654-1704** or log on to **www.REALFLAME.com**.

WARNINGS

1. Fireplace is designed to be used with Real Flame gel fuel only. Do not use with any other gel fuel or any other flammable liquid or gel.
2. Read entire label and instructions before using Real Flame gel fuel.
3. Never leave a burning fire unattended, especially around children or pets.
4. Exercise the same precautions as you would with any open fire.
5. When in-use some surfaces will be hot, use caution.
6. Never touch logs or grate during or after burning gel fuel. Logs and grate will be extremely HOT. Allow logs, grate and gel fuel cans to cool for 60 minutes before touching.
7. Do not burn more than three cans of fuel at once.
8. Do not place more than 15 lbs. of weight on the top of the fireplace at anytime.
9. Make sure fireplace is set on a flat, level and stable surface before using.
10. Keep away from children and pets. Fireplace is not to be operated by children.
11. Make sure fireplace and gel fuel are burned on a flat and level surface.
12. Do not alter fireplace, metal firebox or log set in any matter.
13. Do not store or use gasoline or other flammable vapors, liquids, or materials in the vicinity of this product.
14. Do not wear flammable or loose clothing when operating the fireplace.
15. Do not attempt to move or store the fireplace until 60 min after gel fuel cans have been extinguished.
16. Do not burn trash, paper, or wood in the fireplace. Burn only Real Flame gel fuel in the fireplace.
17. Do not burn gel fuel outside designated burn areas on the metal grate.
18. Do not move fireplace while in use.
19. Do not put fireplace in an area with lots of traffic, such as a hallway.
20. Make sure fireplace is placed with the rear of the unit against a wall.
21. In case of an emergency use a CO2 extinguisher to extinguish the fire.
22. Death, serious injury or damage to property may occur if the above is not followed exactly.
23. If for any reason you cannot follow these warnings please call us at 1-800-654-1704.

NOTICE: Buyer assumes all responsibility for safety and use that is not in accordance with instructions and warnings.

Using your Fireplace

- Follow all instructions included with gel fuel before use.
- Before using Fireplace make sure you have read and understand the step-by-step instructions.
- During the initial burn you may experience a slight odor. This odor is temporary and will be absent on following burns.

Parts List

Number	Description	Part Number	Quantity
1	Base	5401-G	1
2	Left Side Panel	5402-G	1
3	Right Side Panel	5403-G	1
4	Left Trim Panel	5404-G	1
5	Right Trim Panel	5405-G	1
6	Center Panel	5406-G	1
7	Mantel Top	5407-G	1
8	Upper Facing	5408-G	1
9	Lower Facing	5409 -G	1
10	Firebox Support	5410-G	1
11	Firebox Lip	5411-G	1
<i>not shown</i>			
	Firebox Clips	1075	2
	1" Screws	9713	Bag

Tips For Assembly

Before assembly, locate instructions and hardware. Take out all parts and compare them to the photograph and the assembly illustrations. Be sure you have all parts identified.

Check for screws that are wrapped in the packaging to be sure you don't discard them. You may have extra screws.

A helping hand is always good. Assemble fireplace with an adult assistant if possible.

The cement log is heavy. Put the fireplace in the desired location before inserting cement log.

Use caution not to over tighten screws.

Step One figure 1

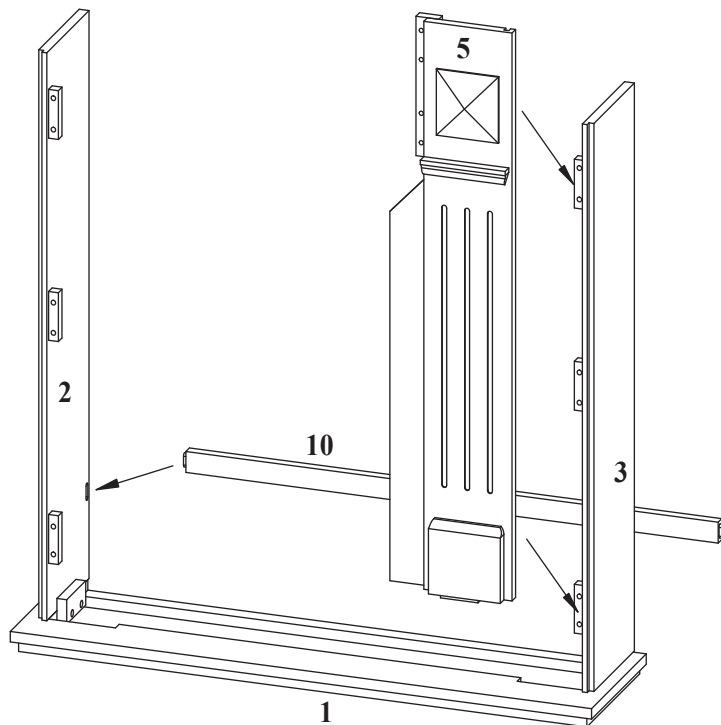


figure 1

- Set the Base (1) on a flat, carpeted surface.
- Insert the Left Side Panel (2) into the left end of the opening in the Base. Align so the back edge of the Panel is flush with the back edge of the Base.
- Screw Left Side Panel to Base through the two holes in the mounting block at the bottom of the Panel.
- Insert the Right Side Panel (3) into the right end of the opening in the base, loosely insert two wood screws in the holes in the mounting blocks, do not tighten.
- Tilt the Right Side Panel outwards and insert the Firebox Support (10) into the cutouts on the lower inside of the Left and Right Side Panels. Tighten the two wood screws on the Right Side Panel (3).
- Using the tongue and groove for placement, Slide the Right Trim Panel (5) against the front of the Right Side Panel (3). Attach the panels together through the three mounting blocks on the front of the Right Side Panel.
- Repeat previous step using the Left Trim Panel (4).

Step Two

figure 2

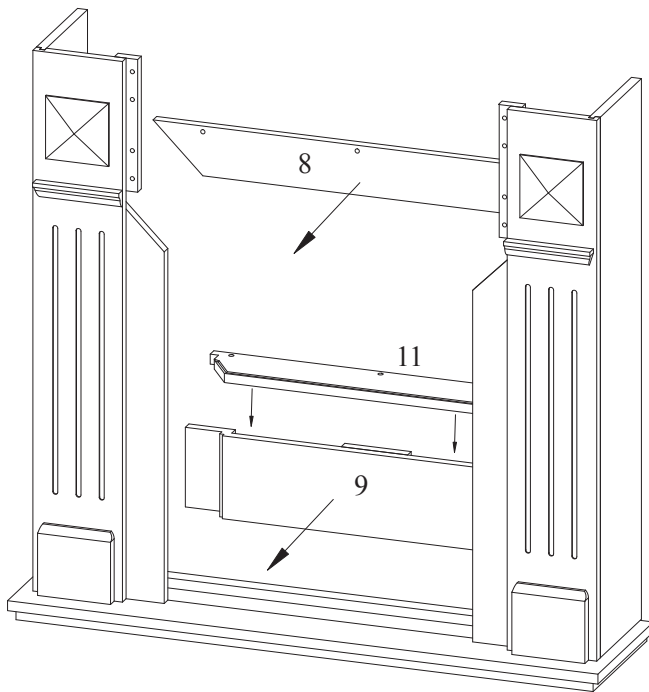


figure 2

- From the back of the unit place the Lower Facing (9) against the back of the Left and Right Trim Panels. Attach to the back of the Trim Panels with four screws through the holes in the mounting blocks on each sides.
- From the back of the unit, set the Firebox Lip (11) through the opening between the Trim panels and place on top of the Lower Facing (9). Attach with three screws through the holes in the Firebox Lip.
- Place the Upper Facing (8) between the opening in the Left and Right trim panels directly above the corresponding black trim pieces. Attach with screws.

Step Three

figure 3

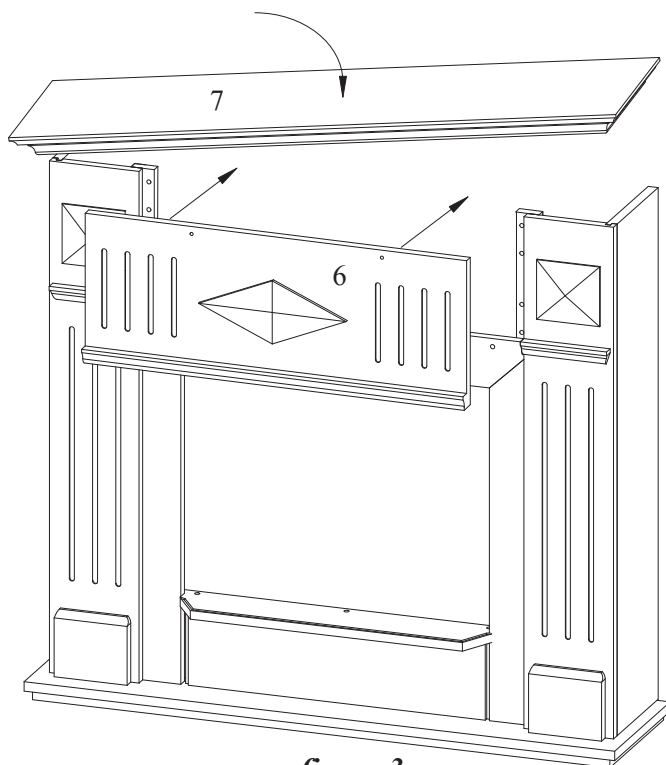


figure 3

- Place the Center Panel (6) against the mounting strips between the Left and Right Trim Panels, attach with screws through the holes in the mounting strips.
- Slide Mantel Top (7) on from front of unit so that its front and side moldings overhang the unit and the back of the Top is flush with the back of the unit. Attach through the two holes in the top of the Center Panel (6), followed by the two holes in the top of the Left and Right Side Panels.

You are now ready for the firebox installation. Please refer to the instructions that are included with your firebox.