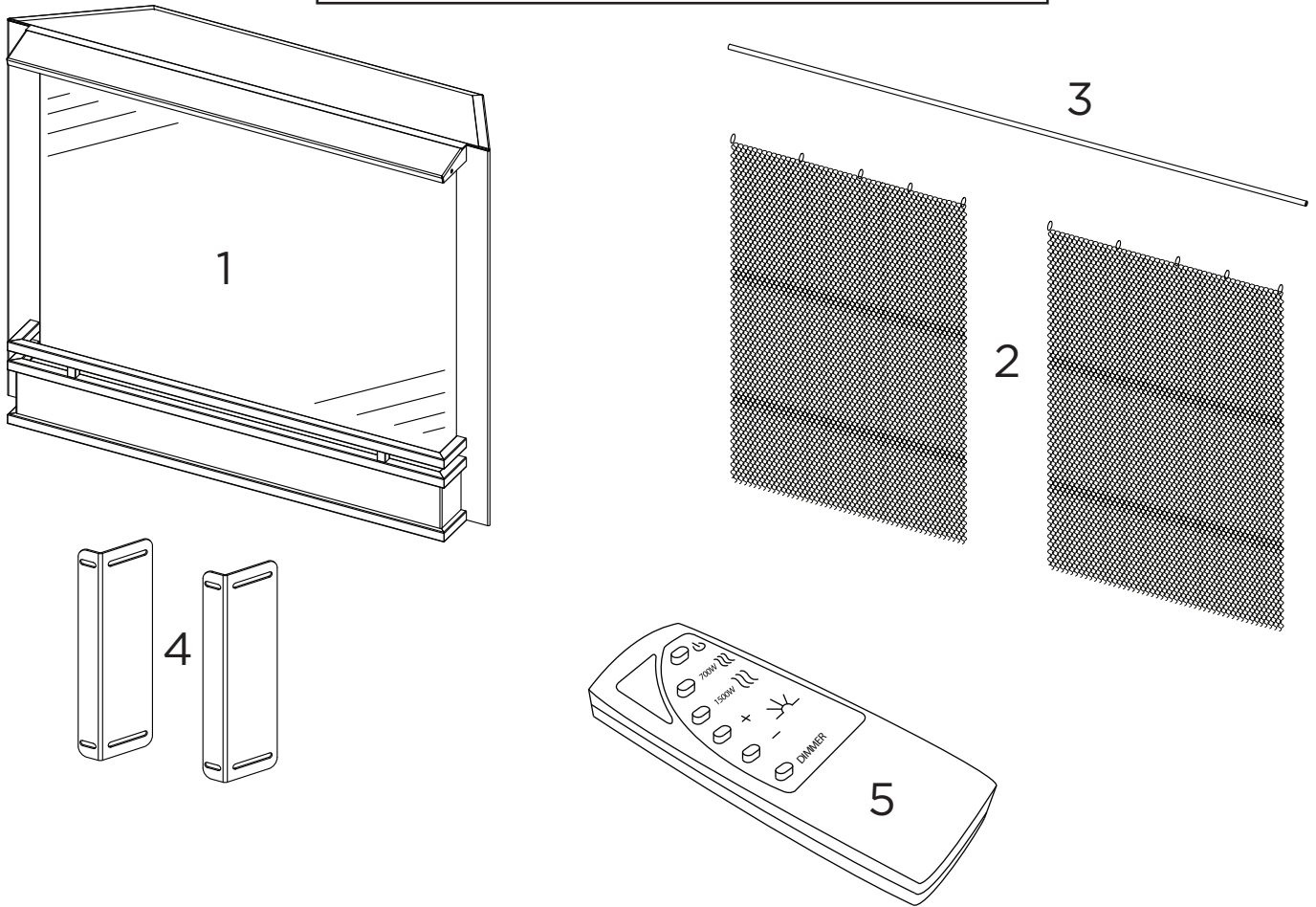


4097
Electric Firebox Insert



Parts List		
Number	Description	Quantity
1	Electric Insert	1
2	Screen Panel	2
3	Screen Rod	1
4	Firebox Clip	2
5	Remote Control	1
Not shown:		
	Machine Screws	4
	Wood Screws	4



NOTE: The 4 machine screws are attached to the sides of the firebox.
2 on each side for attaching the firebox clips.

NOTE: Screen panels (2) and rod (3) are installed on the firebox at the factory.

Assembling and Installing the 4097 Electric Firebox

Step One

Figure 1

Remove the existing firebox clips on the back of the mantel if any were included with your fireplace. (Not all mantels have metal clips pre-attached).

Install the firebox clips included with your firebox.

Remove the two screws on the sides of the firebox and attach the firebox clip as shown in Figure 1. The larger side of the clip should be against the firebox.

Figure 1

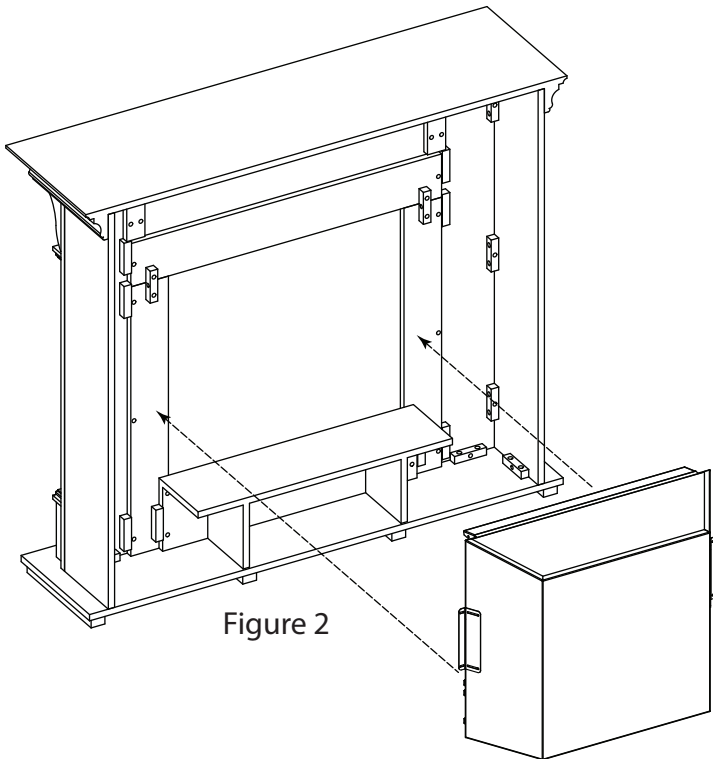
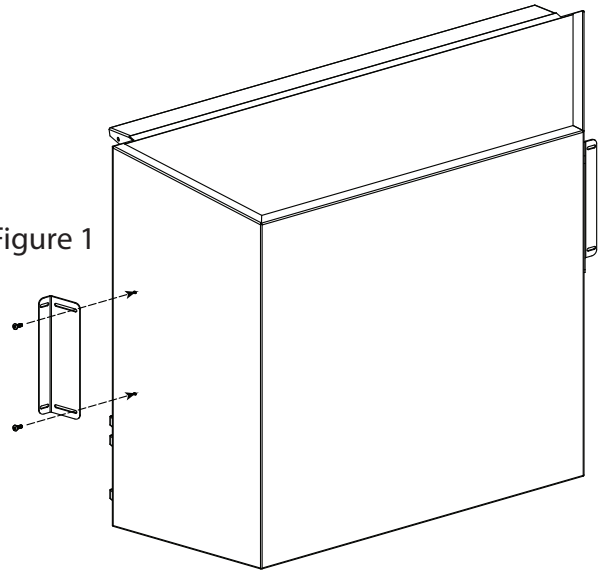


Figure 2

Step Two

Figure 2

From the rear of the mantel insert the firebox into the opening.

Step Three

Figure 3

Attach the firebox to the back of the mantel with the 4 supplied wood screws.

You may also reuse the screws that were used to hold the existing firebox clips to the mantel if any were included.

NOTE: Not every mantel has firebox clips pre-attached.

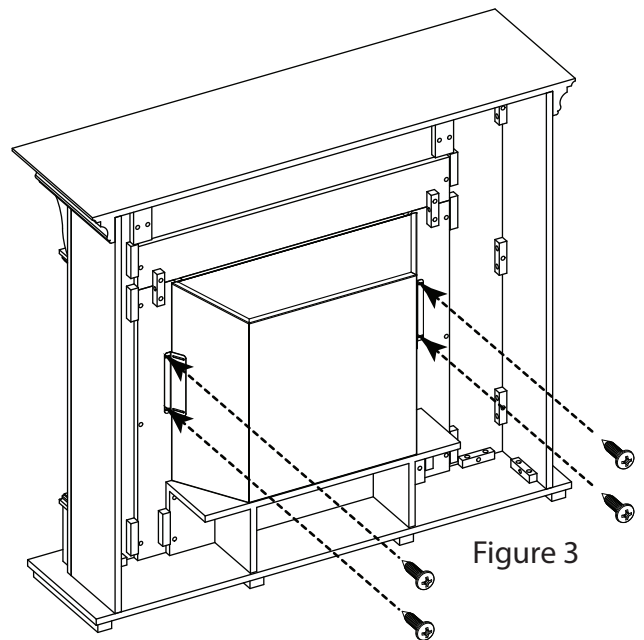


Figure 3