



## Fireplace Model # 3900MC



## Instruction Manual

---

# Instructions and warnings for use



Welcome to the Real Flame® family of gel fuel products. If you have any questions please call customer service at **1-800-654-1704** or log on to **www.REALFLAME.com**.

## STOP!

If parts are missing or damaged, call **1-800-654-1704** for assistance

### **WARNINGS**

1. Fireplace is designed to be used with Real Flame® gel fuel only. Do not use with any other gel fuel or any other flammable liquid or gel.
2. Read entire label and instructions before using Real Flame gel fuel.
3. Make sure fireplace is set on a flat, level and stable surface. Keep fireplace stable at all times.
4. Make sure fireplace and gel fuel are burned on a flat and level surface.
5. Never leave a burning fire unattended, especially around children or pets.
6. Fireplace is not to be operated by children. Keep away from children and pets.
7. Exercise the same precautions as you would with any open fire.
8. When in use some surfaces will be hot, use caution.
9. Never touch logs, gel fuel cans or any other metal surfaces during or immediately after burning gel fuel. They will be extremely HOT. Allow them to cool for 60 minutes before touching.
10. Do not burn more than three cans of fuel at once.
11. Do not place more than 15 lbs. of weight on the top of the fireplace at anytime.
12. Do not alter fireplace, metal firebox or log set in any manner.
13. Keep fireplace and gel fuel cans away from flammable materials at all times.
14. Do not store or use gasoline or any other flammable vapors, liquids, or materials in the vicinity of fireplace and gel fuel.
15. Do not wear flammable or loose clothing when operating the fireplace.
16. Do not move fireplace while in use. Do not attempt to move or store the fireplace until 60 minutes after gel fuel cans have been extinguished.
17. Do not burn trash, paper, or wood in the fireplace. Burn only Real Flame® gel fuel in the fireplace.
18. Do not burn gel fuel outside designated burn areas on the metal grate.
19. Do not put fireplace in an area with lots of traffic, such as a hallway or entryway.
20. In case of an emergency use a CO2 extinguisher to extinguish the fire.
21. Death, serious injury or damage to property may occur if the warnings above are not followed.
22. If for any reason you cannot follow these warnings please call us at 1-800-654-1704.

**NOTICE: Buyer assumes all responsibility for safety and use that is not in accordance with instructions and warnings.**

### Using your Fireplace

- Follow all instructions included with gel fuel before use.
- Before using Fireplace make sure you have read and understand the step-by-step instructions.
- During the initial burn you may experience a slight odor. This odor is temporary and will be absent on following burns.



## Parts List

Number	Description	Part Number	Quantity
1	Base	3901-MC	1
2	Left Side Panel	3902-MC	1
3	Right Side Panel	3903-MC	1
4	Left Trim Panel	3904-MC	1
5	Right Trim Panel	3905-MC	1
6	Center Panel	3906-MC	1
7	Center Facing	3907-MC	1
8	Mantel Top	3908-MC	1
<i>not shown</i>			
	Firebox Clips	1075	2
	1" Screws	9713	Bag

Before assembly, locate instructions and hardware. take out all parts and compare them to the photograph and the assembly illustrations. Be sure you have all parts identified.

Check for screws that are wrapped in the packaging to be sure you dont discard them. You may have extra screws.

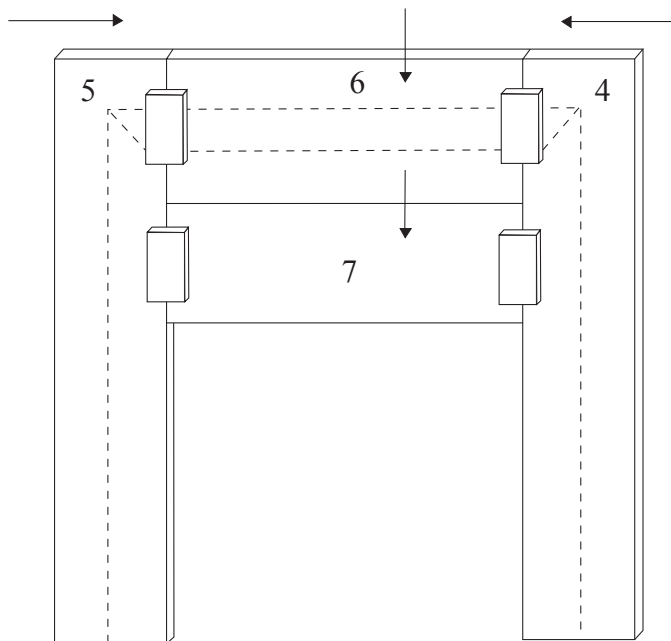
A helping hand is always good. Assemble the fireplace with an adult assistant if possible.

The cement log is heavy. Put the fireplace in the desired location before inserting cement log.

Use caution not to over tighten screws.

## Step One

Figure 1



- Set the Right and Left Trim Panels (4 & 5) face down on a carpeted surface about three feet apart.

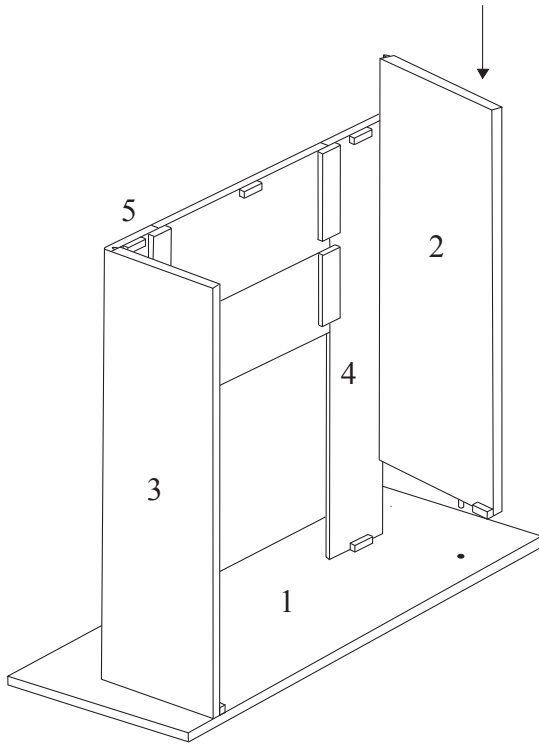
- Set Center Facing (6) face down between Trim Panels so top edges are flush and Trim Panels are between Center Panel front moldings and back mounting blocks.

- Hold Center Facing (7) face down below Center Panel so top edge of Facing overlaps lower edge of Center Panel. Press Trim panels inward. Screw Center Panel and Center Facing to Trim Panels through holes in mounting blocks at outer edges of Center Panel

Figure 1

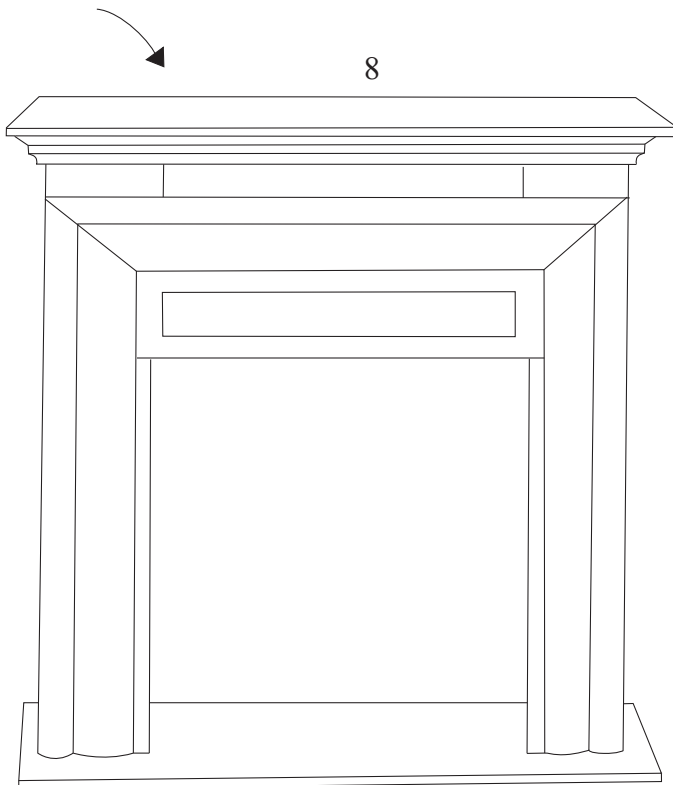
## Step Two

Figure 2



- Set the Base (1) upright on a flat, carpeted surface.
- Stand assembled Trim and Center Panels upright over Base so that pegs at bottom of Trim Panels rest in pre-drilled holes in Base.
- Insert front edge of Left Side Panel (2) into Left Trim Panel (4) using the tongue and groove edge as a guide and slide all the way to Base. Pegs at bottom of Side Panel will rest in pre-drilled holes in Base. Attach with screws through pre-drilled holes in mounting block in back of Side Panel.
- Repeat using Right Side Panel (3) and Right Trim Panel (5).

Figure 2



## Step Three

Figure 3

- Slide Mantel Top (8) onto top of unit. Screw Mantel Top to unit through pre-drilled holes in mounting blocks on Center Panel and Side Panels.

You are now ready for the firebox installation. Please refer to the instructions that are included with your firebox.

Figure 3