



18" Convert to Gel Log Set # 2610



Instruction Manual

STOP!

If parts are missing or damaged, call **1-800-654-1704** for assistance

Welcome to the Real Flame® family of gel fuel products. If you have any questions please call customer service at **1-800-654-1704** or log on to **www.REALFLAME.com**.

WARNINGS

1. Log set is designed to be used with Real Flame gel fuel only. Do not use with any other gel fuel or any other flammable liquid or gel.
2. Read entire label and instructions before using Real Flame gel fuel.
3. Never leave a burning fire unattended, especially around children or pets.
4. When burning in an existing fireplace, be sure that the material surrounding the logs is non-combustible and it is clear and free of all flammable materials.
5. Firebox must be brick, cement, steel or other non-flammable material because there will be a real fire inside.
6. Never touch logs or grate during or after burning gel fuel. Logs and grate will be extremely HOT. Allow logs, grate and gel fuel cans to cool for 60 minutes before touching.
7. Do not burn more than three cans of fuel at once.
8. Keep away from children and pets. Log set is not to be operated by children.
9. Make sure log set and gel fuel are burned on a flat and level surface.
10. Do not alter log set in any matter.
11. Do not store or use gasoline or other flammable vapors or liquids in the vicinity of this product.
12. Do not wear flammable or loose clothing when operating the outdoor gel log set.
13. Do not attempt to move or store the log set until 60 min after gel fuel cans have been extinguished.
14. Do not lean over log set when lighting or when in use.
15. Do not burn gel fuel outside designated burn areas on the metal plate.
16. In case of an emergency use a CO2 extinguisher to extinguish the fire.
17. Death, serious injury or damage to property may occur if the above is not followed exactly.
18. If for any reason you cannot follow these warnings please call us at 1-800-654-1704.

NOTICE: Buyer assumes all responsibility for safety and use that is not in accordance with instructions and warnings.

Using your Log Set

- Log Set is designed for use in your existing indoor fireplace.
- Follow all instructions included with gel fuel before use.
- Before using Gel Conversion Log Set make sure you have read and understand the step-by-step instructions.
- During the initial burn you may experience a slight odor. This odor is temporary and will be absent on following burns.

Parts List

Number	Description	Part Number	Quantity
1	Left Log	2610-R A	1
2	Middle Log	2610-R B	1
3	Right Log	2610-R D	1
4	Front Log	2610-R E	1
5	Rear Log	2610-R F	1
6	Grate	2610-R G	1
7	Lift Assembly	2610-R H	1
8	Lava Rock	4090	1 bag
9	1" Phillips Head Bolt	9742	10

Before starting assembly, review parts list making sure you have all the pieces in good condition. If there are any damaged or missing parts please call customer service at 1-800-654-1704.

Before using fireplace read and understand all instructions and safety precautions included with this product.

Step One

Figure 1

With Grate (6) set on flat surface locate Lift Assembly (7). Using the four holes on the back of the Grate and 1" bolts, attach the Lift Assembly with handle as shown in **figure 1**.

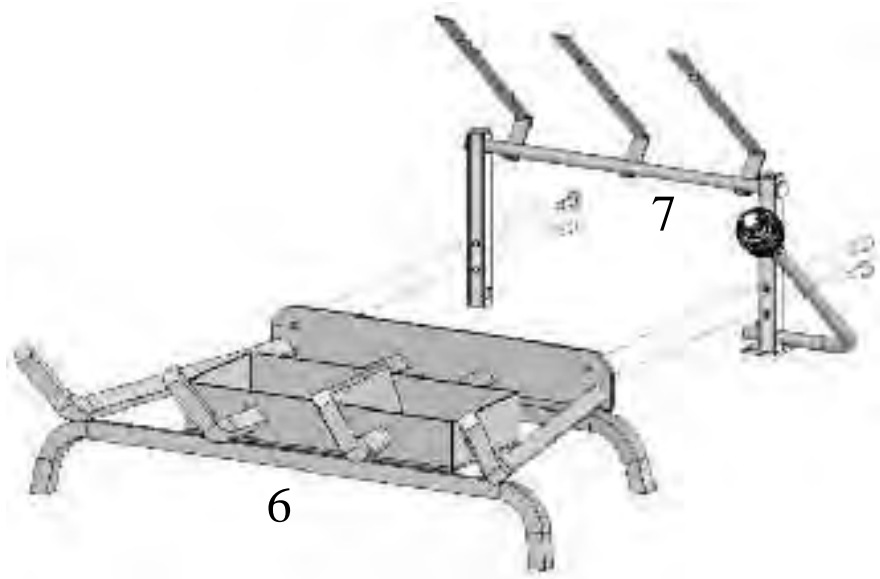


Figure 1

Step Two

Figure 2

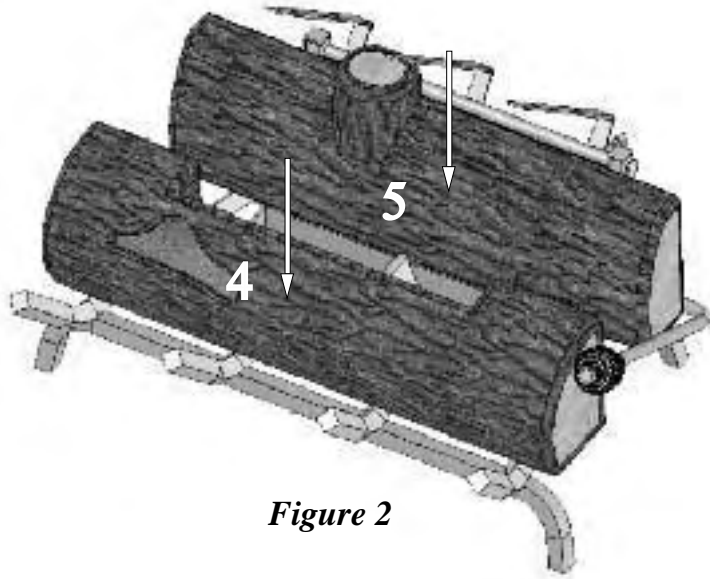


Figure 2

Raise handle on lift assembly to the open position.

Place Front Log (4) and Rear Log (5) as shown in **figure 2**

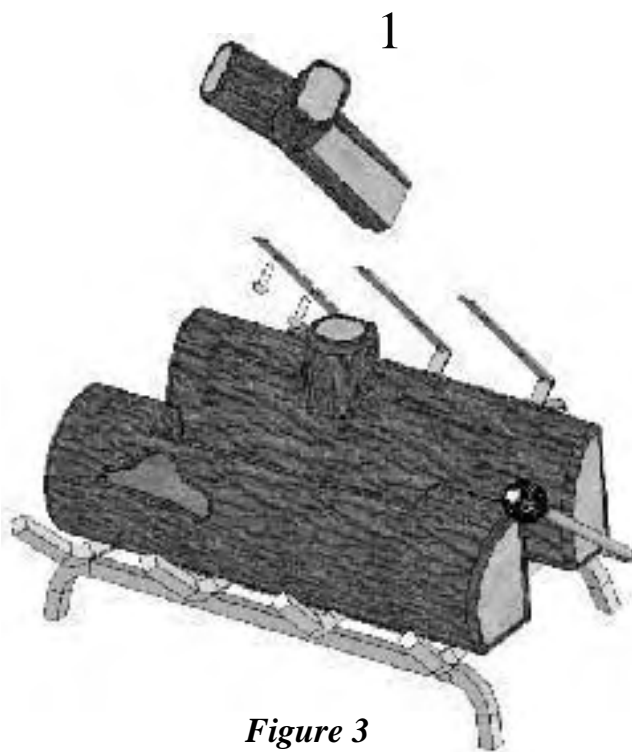


Figure 3

Step Three

Figure 3

Locate the Left Log (1) with the "V" end of the log facing towards the front. Attach log to metal brace with two 1" bolts.

NOTE: Use caution not to over tighten bolts.

Step Four

Figure 4



Figure 4

Repeat step three with the remain two logs. Use *figure 4* as reference for placing the logs.

After all logs have been fastened to Lift Assembly slowly lower lift arm. If the top three logs don't rest on Front Log (4) you may need to adjust the position of the Rear Log (5) left or right.

Place assembled unit in your existing fireplace. Add decorative lava rock around the base of your fireplace.

Step Five

Figure 5

Using your Convert to Gel Log Set

With assembled unit in fireplace, raise lift assembly. Place two cans of REAL FLAME gel fuel in fuel tray located in the middle of the grate. With an extended lighter or long match light gel fuel. Carefully lower lift handle.

During the initial burn you may experience a slight odor. This odor is temporary and will be absent on following burns.

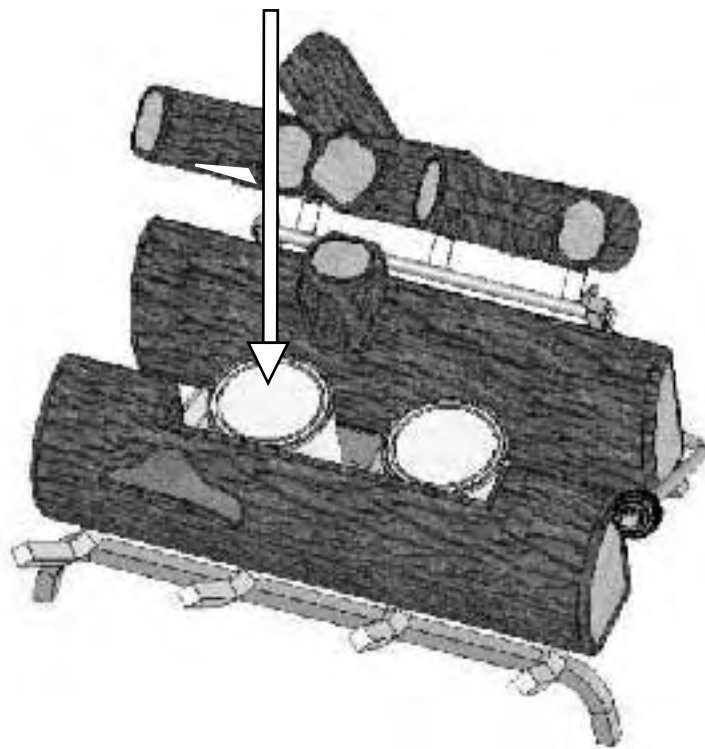


Figure 5