



Fireplace Model # 2000



Instruction Manual

Instructions and warnings for use



Welcome to the Real Flame® family of gel fuel products. If you have any questions please call customer service at **1-800-654-1704** or log on to **www.REALFLAME.com**.

STOP!

If parts are missing or damaged, call **1-800-654-1704** for assistance

WARNINGS

1. Fireplace is designed to be used with Real Flame® gel fuel only. Do not use with any other gel fuel or any other flammable liquid or gel.
2. Read entire label and instructions before using Real Flame gel fuel.
3. Make sure fireplace is set on a flat, level and stable surface. Keep fireplace stable at all times.
4. Make sure fireplace and gel fuel are burned on a flat and level surface.
5. Never leave a burning fire unattended, especially around children or pets.
6. Fireplace is not to be operated by children. Keep away from children and pets.
7. Exercise the same precautions as you would with any open fire.
8. When in use some surfaces will be hot, use caution.
9. Never touch logs, gel fuel cans or any other metal surfaces during or immediately after burning gel fuel. They will be extremely **HOT**. Allow them to cool for 60 minutes before touching.
10. Do not burn more than three cans of fuel at once.
11. Do not place more than 15 lbs. of weight on the top of the fireplace at anytime.
12. Do not alter fireplace, metal firebox or log set in any manner.
13. Keep fireplace and gel fuel cans away from flammable materials at all times.
14. Do not store or use gasoline or any other flammable vapors, liquids, or materials in the vicinity of fireplace and gel fuel.
15. Do not wear flammable or loose clothing when operating the fireplace.
16. Do not move fireplace while in use. Do not attempt to move or store the fireplace until 60 minutes after gel fuel cans have been extinguished.
17. Do not burn trash, paper, or wood in the fireplace. Burn only Real Flame® gel fuel in the fireplace.
18. Do not burn gel fuel outside designated burn areas on the metal grate.
19. Do not put fireplace in an area with lots of traffic, such as a hallway or entryway.
20. In case of an emergency use a CO2 extinguisher to extinguish the fire.
21. Death, serious injury or damage to property may occur if the warnings above are not followed.
22. If for any reason you cannot follow these warnings please call us at 1-800-654-1704.

NOTICE: Buyer assumes all responsibility for safety and use that is not in accordance with instructions and warnings.

Using your Fireplace

- Follow all instructions included with gel fuel before use.
- Before using Fireplace make sure you have read and understand the step-by-step instructions.
- During the initial burn you may experience a slight odor. This odor is temporary and will be absent on following burns.



Parts List

Number	Description	Part Number	Quantity
1	Base	2001	1
2	Left Side Panel	2002	1
3	Right Side Panel	2003	1
4	Left Trim Panel	2004	1
5	Right Trim Panel	2005	1
6	Center Panel	2006	1
7	Mantel Top	2007	1
8	Front Cross Trim	2008	1
9	Left Brick Facing	2009	1
10	Right Brick Facing	2010	1
11	Top Brick Facing	2011	1
12	Left Mantel Support	2012	1
13	Right Mantel Support	2013	1
14	Firebox	4099	1
15	Mantel Grate	0001	1
16	Mantel Log	2605	1
<i>not shown</i>			
	Firebox Clips	1075	2
	1" Wood Screws	9713	Bag

Tips For Assembly

Before assembly, locate instructions and hardware. Take out all parts and compare them to the photograph and the assembly illustrations. Be sure you have all parts identified.

Check for screws that are wrapped in the packaging to be sure you don't discard them. You may have extra screws.

A helping hand is always good. Assemble fireplace with an adult assistant if possible.

The cement log is heavy. Put the fireplace in the desired location before inserting cement log.

Use caution not to over tighten screws.

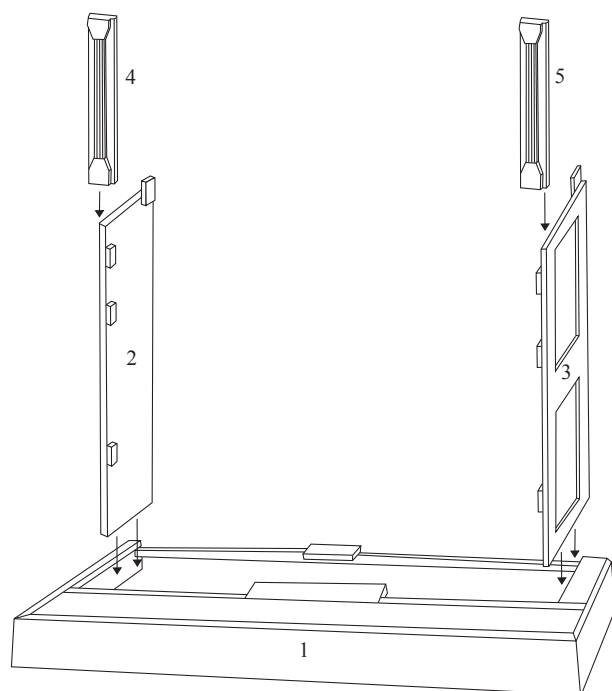


figure 1

Step One

figure 1

- Set the Base (1) on a flat surface.
- Set the Left and Right Side Panels (2 & 3) upright. Wood mounting blocks will be at the tops and front edges of the panels.
- Insert the Panels into the Base at the outer edges of the cutout in the Base with finished sides facing out. Attach each to the Base with 2 screws.
- Align Left Trim Panel (4) with Left Side Panel (2) using the tongue and groove edge as a guide and slide all the way to the Base. Screw together through mounting blocks on Side Panel.
- Repeat using Right Trim Panel (5) and Right Side Panel (3).

Step Two

figure 2

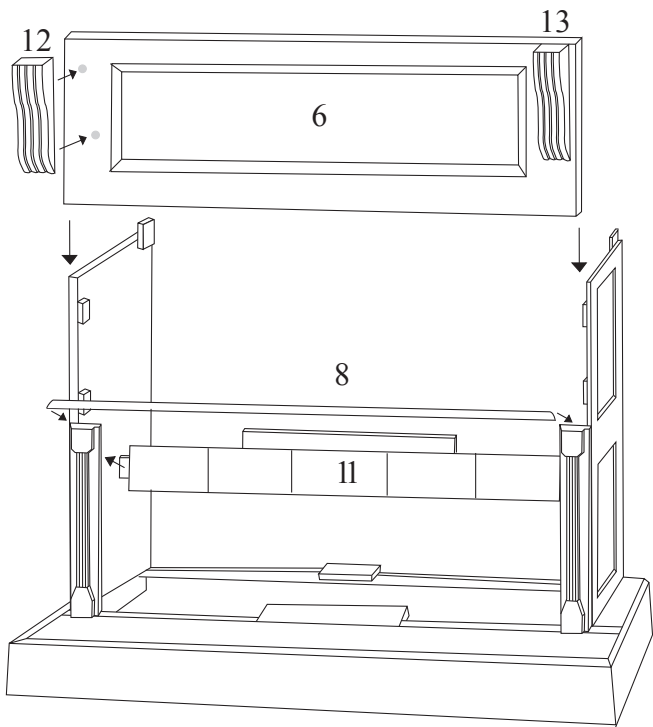


figure 2

- Attach Left and right Mantel Supports (12 & 13) to tops of Trim Panels by inserting dowel at top of Trim Panels into hole in back of Mantel supports. Secure with screws through holes in back of Trim Panels.

- Set Wood Facing (8) between Trim Panels at floor level so mounting blocks on Facing are behind Trim panels. Attach Facing to Trim Panels through holes in Facing mounting blocks.

- Insert Center Panel (6) between Trim Panels by sliding tongues at outer edges of Center Panel into grooves at inner edges of Trim panels and pressing down so top edges align. Attach Center Panel to Trim Panels with screws through mounting blocks at outer edges of Center panel.

- Align Left and Right Mantel Supports (12 & 13) with pre-drilled holes in Center Panel. Note that holes are offset. Screw Mantel Supports into place.

- Insert Top Brick Facing (11) into opening below Center Panel. Screw Facing to the Center Panel through attached mounting blocks at sides and top.

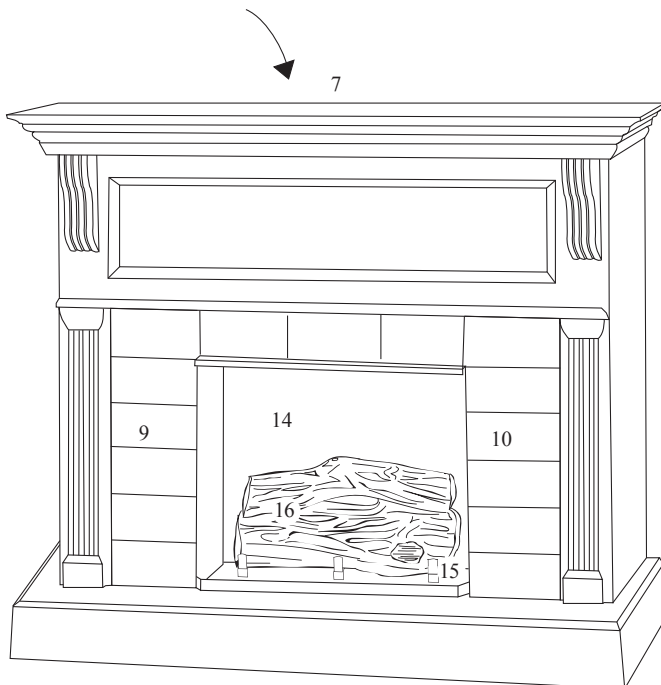


figure 3

Step Three

figure 3

- Insert Left Brick Facing (9) into opening next to Left Trim Panel. Screw Facing to Trim Panel through attached mounting blocks at sides, top and bottom.

- Repeat with Right Brick Facing (10) and Right Trim Panel. The facings should sit flush up against each other.

- Slide Mantel Top (7) onto top of unit. Screw Mantel Top to unit using screw holes in Center Panel and in mounting blocks at top of Side Panels.

You are now ready for the firebox installation. Please refer to the instructions that are included with your firebox.