



Fireplace Model # 1350



Instruction Manual

Instructions and warnings for use



Welcome to the Real Flame® family of gel fuel products. If you have any questions please call customer service at **1-800-654-1704** or log on to **www.REALFLAME.com**.

STOP!

If parts are missing or damaged, call **1-800-654-1704** for assistance

WARNINGS

1. Fireplace is designed to be used with Real Flame® gel fuel only. Do not use with any other gel fuel or any other flammable liquid or gel.
2. Read entire label and instructions before using Real Flame gel fuel.
3. Make sure fireplace is set on a flat, level and stable surface. Keep fireplace stable at all times.
4. Make sure fireplace and gel fuel are burned on a flat and level surface.
5. Never leave a burning fire unattended, especially around children or pets.
6. Fireplace is not to be operated by children. Keep away from children and pets.
7. Exercise the same precautions as you would with any open fire.
8. When in use some surfaces will be hot, use caution.
9. Never touch logs, gel fuel cans or any other metal surfaces during or immediately after burning gel fuel. They will be extremely **HOT**. Allow them to cool for 60 minutes before touching.
10. Do not burn more than three cans of fuel at once.
11. Do not place more than 15 lbs. of weight on the top of the fireplace at anytime.
12. Do not alter fireplace, metal firebox or log set in any manner.
13. Keep fireplace and gel fuel cans away from flammable materials at all times.
14. Do not store or use gasoline or any other flammable vapors, liquids, or materials in the vicinity of fireplace and gel fuel.
15. Do not wear flammable or loose clothing when operating the fireplace.
16. Do not move fireplace while in use. Do not attempt to move or store the fireplace until 60 minutes after gel fuel cans have been extinguished.
17. Do not burn trash, paper, or wood in the fireplace. Burn only Real Flame® gel fuel in the fireplace.
18. Do not burn gel fuel outside designated burn areas on the metal grate.
19. Do not put fireplace in an area with lots of traffic, such as a hallway or entryway.
20. In case of an emergency use a CO2 extinguisher to extinguish the fire.
21. Death, serious injury or damage to property may occur if the warnings above are not followed.
22. If for any reason you cannot follow these warnings please call us at 1-800-654-1704.

NOTICE: Buyer assumes all responsibility for safety and use that is not in accordance with instructions and warnings.

Using your Fireplace

- Follow all instructions included with gel fuel before use.
- Before using Fireplace make sure you have read and understand the step-by-step instructions.
- During the initial burn you may experience a slight odor. This odor is temporary and will be absent on following burns.



1350 Heritage Corner Instructions



Parts List

Number	Description	Part Number	Quantity
1	Base	1351	1
2	Left Side Panel	1352	1
3	Right Side Panel	1353	1
4	Left Trim Panel	1354	1
5	Right Trim Panel	1355	1
6	Center Panel	1356	1
7A	Mantel Top/Front	1357 A	1
7B	Mantel Top/Middle	1357 B	1
7C	Mantel Top/Back	1357 C	1
8	FireBox Spacer	1358	1
9	Firebox Support	1359	1
10	Upright Support	135A	1
11	Mantel Top Slide	135B	1
12	Firebox	4099	1
13	Mantle Grate	0001	1
14	Mantel Log	2605	1
<i>not shown</i>			
	Firebox Clips	1075	2
	1" Wood Screws	9713	Bag

Tips For Assembly

Before assembly, locate instructions and hardware. Take out all parts and compare them to the photograph and the assembly illustrations. Be sure you have all parts identified.

Check for screws that are wrapped in the packaging to be sure you don't discard them. You may have extra screws.

A helping hand is always good. Assemble fireplace with an adult assistant if possible.

The cement log is heavy. Put the fireplace in the desired location before inserting cement log.

Use caution not to over tighten screws.

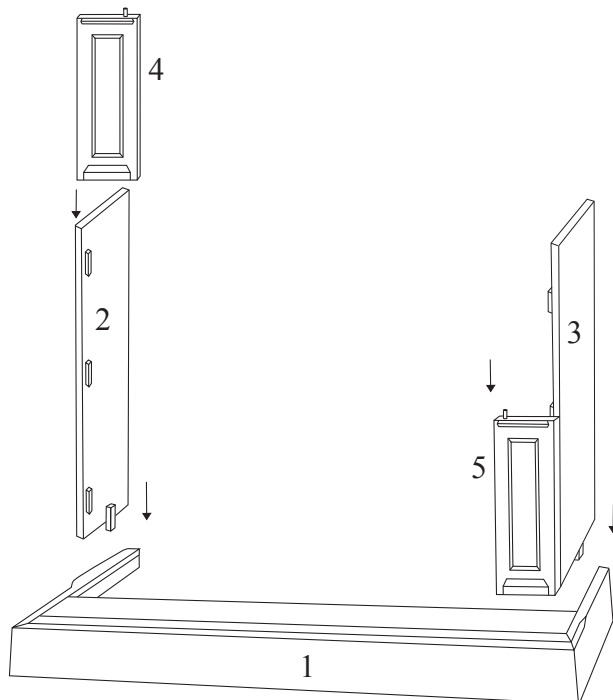


figure 1

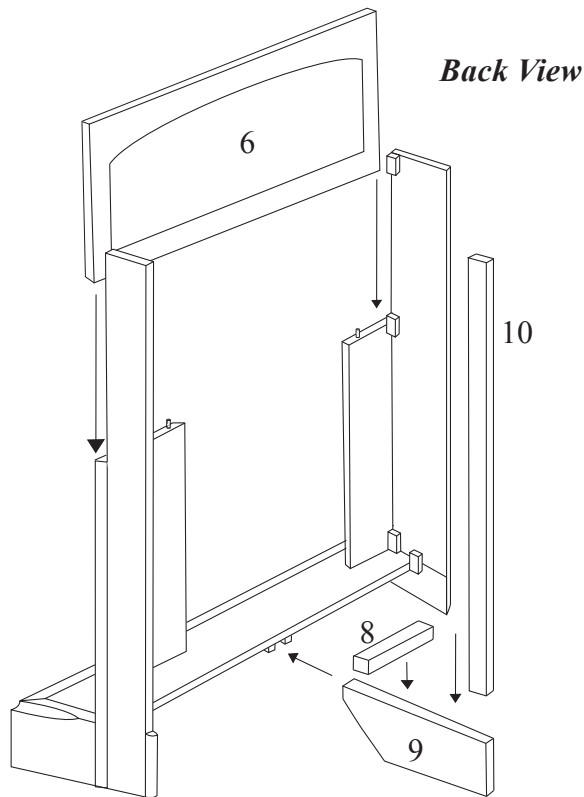
Step One

figure 1

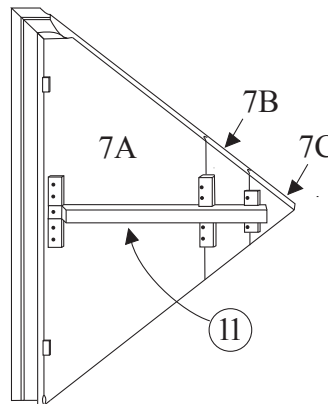
- Set the Base (1) on a flat, carpeted surface.
- Set the Left and Right Side Panels (2 & 3) upright. Wood mounting blocks will be at the bottom and front edges of the panels.
- Insert the Side Panels into the Base at the outer edges of the Base. Screw each Side Panel to the Base through the mounting blocks at bottom of the Side Panels.
- Align Left Trim Panel (4) with Left Side Panel (2) using the tongue and groove edge as a guide and slide all the way to the Base.
- Screw together through holes in mounting blocks on the side panel.
- Attach trim panels to base through holes in the bottom of the side panels.
- Repeat using Right Trim Panel (5) and Right Side Panel (3).

Step Two

figure 2



- Turn unit so you are facing the back.
- Hold Center Panel (6) so that pre-drilled holes are up. Slide the grooves at the outer edges of the Center Panel onto the tongues on the Right and Left Trim Panels and press Center Panel down over dowels on top of Trim Panels.
- Screw the Center panel into the two Side panels through the mounting blocks attached to the Side Panels.
- Slide Firebox Support (9) under Base.
- Screw Firebox Spacer (8) to Firebox support (9)



- Set 7A, B, & C (Mantel tops) upside- down on a carpeted surface. Insert Mantel Top Slide (11) into slot at center of Top/ Front, Top/Mid and Top/Back. Screw through tabs to join adjacent pieces. Screw into Top/Front through pre-drilled hole at thin end

figure 2

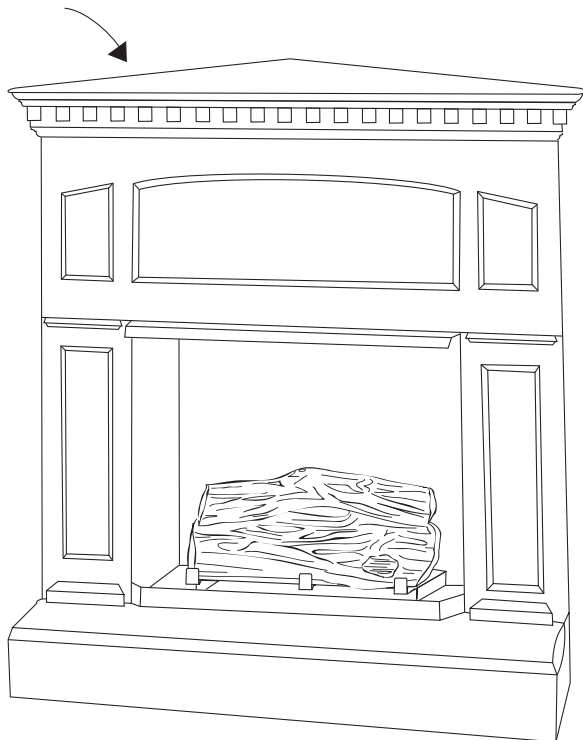


figure 3

Step Three

figure 3

- Slide Assembled Mantel Top onto top of unit. Screw Mantel Top to unit using screw holes in Center

Important: If you have purchased the optional pull screen kit, please refer to the assembly instructions enclosed in the kit now, then proceed to step four.